



FD 900 *STAGE 5*

Hydrostatic lawnmower with collection and front mower deck

Grillo
AGRIGARDEN MACHINES

FD 900

GRILLO design and build machines always giving careful consideration to the operator's needs, to transform work into pleasure



Grillo is your guarantee of quality. The company strives for continuous improvement through innovation. Continuous improvement results in quality and reliability and this, combined with excellent customer and spare parts service, means that Grillo machines retain their value over time.



FD 900

Permanent 4WD and great maneuverability

Grillo FD 900 is a hydrostatic mower with **hydraulic 4WD (permanent on tight turns)**. It is equipped with a **126 cm front mower deck** and a grass catcher with a **discharge height of 195 cm** and a **rear overhang of 30 cm**.

Its narrow steering radius of 37 cm and its compact dimensions make this mower easy to maneuver and safe on slopes!

Thanks to its impressive performance and compact dimensions, this mower is ideal for the maintenance of large surfaces, gardens and parks dotted with trees.



Automatic stability control system engaging and disengaging the differential lock.



The innovative permanent 4WD ensures, via the hydraulic differential, **maximum grip under all working conditions and even on tight turns without damaging the grass**. Perfect weight distribution combined with the automatic and/or manual differential lock make this mower safe and steady when cutting on slopes.

The rear axle tilts allowing 4WD on uneven ground as well.

The TURF profile tyres and their size exert low ground pressure on the grass even when the grass-catcher is full.

FD 900

Professional mower deck for an excellent cut

Innovative and robust 126 cm front mower deck to cut in the most demanding conditions (under low branches and bushes etc..).

The mower deck has 3 blades, two side blades plus one central front blade. This cutting system ensures reduced noise emissions and a high-quality cut..

Each of the two main blades is equipped with a “fan” for increased grass collection and to allow an excellent cut even with high and wet spring grass.

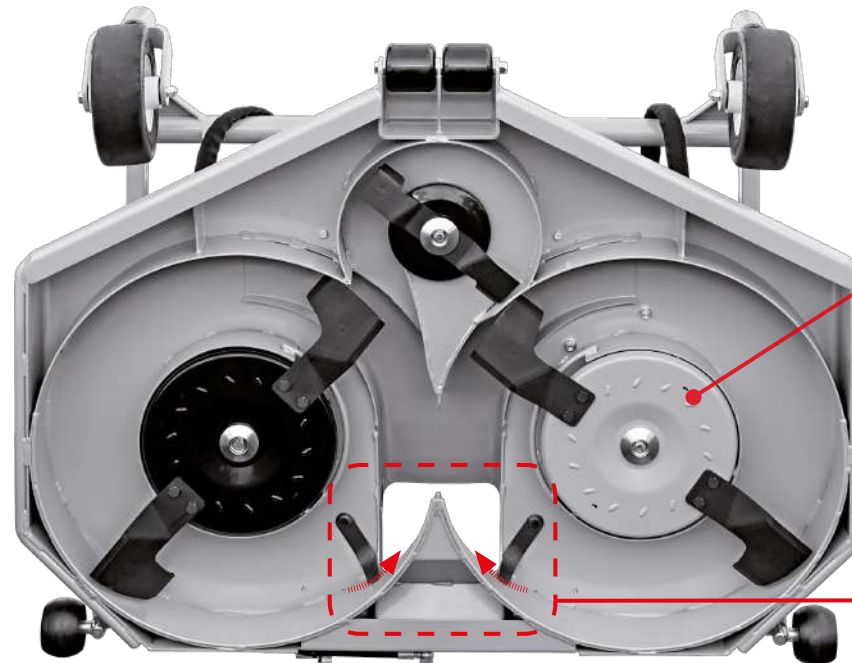
The cutting height adjustment is centralised and hydraulic, and is operated via an electric push-button on the dashboard.

The cutting height can be continuously adjusted from 2 cm to 10 cm, an ideal feature to achieve excellent results in sport fields.

The cutting deck floats hydraulically, maintaining constant surface pressure in all conditions allowing it to perfectly suit uneven ground.

The cutting deck is equipped with solid, puncture-proof wheels and the height of its anti-scalp rollers, mounted on bearings, is adjustable.

The whole cutting deck system is driven primarily by a PTO belt transmission and secondly by a belt transmission. It can be tilted for inspection and maintenance without disconnecting any components.



Blades are fitted with a fan

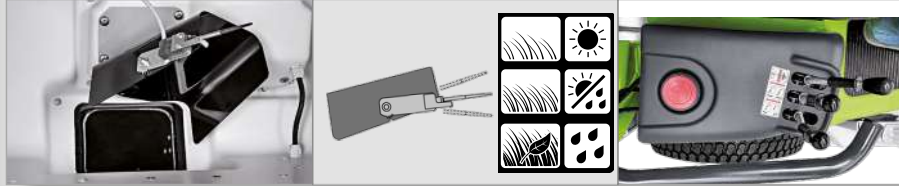
The cutting deck is fitted with a hydraulic cleaning system in the discharge chute.

It is activated automatically each time the grass collector is emptied.

FD 900

Direct grass collection, reduced noise emissions and large capacity grass-catcher

The grass-catcher has a capacity of 750 litres and it is equipped with a hydraulic lifting and tipping & automatic opening system. The max. discharge height is 195 cm with a rear overhang of 30 cm. Inside the grass-catcher the motorised grass baffle ensures complete and even compaction of grass independent of grass conditions, thanks to a sensor that can be adjusted in three different positions. This sensor detects when the grass-catcher is full and disconnects the blades to prevent blocking. The grass-catcher door is locked automatically.



The hydraulic services of both the grass-catcher and mower deck are activated via comfortable levers fitted with safety system devices and are located on the dashboard. It is very easy and quick to empty grass into a truck and also easy to raise the mower deck when negotiating obstacles or kerbs.



The FD 900 can be equipped with an all purpose flail too

The 130 cm all purpose flail for FD 900 is equipped with 42 pairs of Y-shaped blades, its cutting height can range from 2 to 10 cm, it is fitted with double couplings and it can be mounted in the middle or shifted of 16 cm to the right, to cut on the verges of ditches, after having secured the wheels.

The all purpose flail is equipped with a rear, anti-scalp roller whose cutting height is rapidly adjustable via gear rack.

It is fitted with front, solid, puncture-proof wheels and its oil-bath gearbox has a helical bevel unit. All of these features ensure low noise emissions during work.

This attachment is also equipped with a blade brake, a grinding bar, anti-thorn protections behind the wheels fuses and an adjustable front baffle of the cutting chamber.

Scarifier blade kit on demand



FD 900

Comfort and safety

Easy maintenance



FD 900 is equipped with a Yanmar 3TNV80F diesel engine, 25 HP, three cylinder, compliant with the directives EC (NRMN) STAGE V (EUROPE) and EPA FINAL TIER 4 (USA), mounted on shock-absorbers into a very robust frame, designed to protect the machine main components.

The mower comes with a spacious, comfortable and ergonomic driver's seat.

This seat has suspension, is adjustable and fitted with metal side protections.

The steering is hydraulic. **Everything has been designed to make the operator's work easy and comfortable even after long working periods.**

The engine is water cooled with a self-cleaning radiator, the electro valve for cooling reverses the fan rotation to remove any residue of cut grass from the radiator.

This happens automatically via a sensor but it can also be activated manually.

The radiator and the tank open outward to facilitate inspection and cleaning.

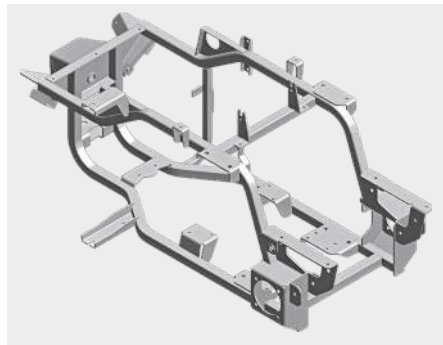
Access to the pre-filter, air filter, diesel filter and its decanter plus the hydraulic oil filter is easy.

Even the battery is easily accessed, as well as the belt tensioner and the electromagnetic PTO clutch.

The grass chute can be easily removed for cleaning and maintenance.

The grass grid inside the grass-catcher can be removed for cleaning.

Standard equipment: foldable roll-bar (ISO21299) and lights approved for use on public roads.



Caring for quality

FD 900 4WD, as with all Grillo products is designed and built to last and retain their value over many years. **All components, from the simplest to the most complex, are of a high quality standard.**

Frame, transmission, cutting deck, everything is built by Grillo in Italy by using only premium materials and cutting-edge technology. All this to achieve a constant and 100% controlled high level quality.

Varnishing of Grillo machines consists of a double electrostatic powder coated process. Grillo mowers have been mounted with care in every detail and tested scrupulously by specialized personnel.

Final inspection means a machine whose engine has been run in order to check its performance.

Beyond the product values that make the difference

Guarantee and Service Spare parts

Guaranteed machines and solutions.

Spare parts service with fast delivery times even for 30-year-old machines: value guaranteed over time.



Grillo Technical Assistance

Efficient, practical pre- and after-sales service with a single goal: to always give our Customers quick, efficient answers

GRILLO DEALERS

Specialized stores around the country are able to understand your specific needs to direct you toward the right choice.

You will be met with quality, courtesy and a chance to view and try all Grillo products.

GTS Grillo Top Service









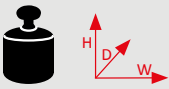
On-site presentation and demonstration.



FD 900

Hydrostatic lawnmower with collection and front mower deck

TECHNICAL DATA

	<p>ENGINE: YANMAR 3TNV80F Diesel 1267 cc (25 HP @ 3000 r.p.m.) 3 cylinders, directives EC (NRMN) STAGE V (EUROPE) and EPA FINAL TIER 4 (USA), liquid-cooled with electric valve, provided with manual and automatic device for radiator cleaning</p>
	<p>FUEL TANK: 31 litres HYDRAULIC OIL TANK: 6,3 litres</p>
	<p>TRACTION: hydraulic traction with 4 driving wheels (permanent integral traction also on tight turning radius) AUTOMATIC DIFFERENTIAL LOCK AND MANUAL VIA BUTTON GEARBOX: hydrostatic transmission with 4 hydraulic engines on the 4 wheels</p>
 <p>HYDROSTATIC</p>	<p>STEERING SYSTEM: hydraulic drive with steering wheel SEAT: Grammer super comfort and adjustable sprung seat. Equipped with side steel armrests CLUTCH: electromagnetic for PTO, with magnetic blade brake SPEED: from 0 to 15 km/h continuously variable WHEELS front: 23x 10.50-12 TURF WHEELS; rear: 18x7.50-8TURF WHEELS AUTOMATIC FEATURES: automatic disengagement of blades when the grass catcher is full BRAKE: drum service and parking brakes</p>
	<p>GRASS CATCHER: 750 litres. Automatic opening with hydraulic discharge DISCHARGE HEIGHT: 195 cm REAR OVERHANG: 30 cm MOTORISED Baffle PROVIDING FULL AND EVEN GRASS CATCHER FILLING</p>
	<p>CUTTING HEIGHT: from 2 to 10 cm, hydraulic and continuously adjustable from the driving position CUTTING WIDTH: 126 cm</p>
	<p>STEERING RADIUS: 37 cm ROAD HOMOLOGATION LIGHTS: as a standard feature</p>
	<p>HOURLY MOWING CAPACITY: 9000 m²/h</p>
	<p>WEIGHT: (without cutting deck) 805 kg- (with cutting deck) 980 kg SIZE (with cutting deck): Length 291 cm - Width 133 cm - Height 207 cm - 166 cm (with lowered roll-bar) GROUND CLEARANCE: 15 cm DISTANCE BETWEEN AXLES: 119 cm</p>



GRILLO SPA

Via Cervese, 1701 - 47521 CESENA (Italy)
Tel. (0039) 0547 633111 - Fax (0039) 0547 632011

Internet: www.grillospa.it
E-mail: grillo@grillospa.it



www.grilloagrigarden.co.uk

Cod. DP077GB ENG 2019/1

In his pursuing of constant development of his products, Grillo SpA reserves for himself the right to change the technical specifications and the illustrations on this document, at any given moment and without notice and without any kind of obligation. All the pictures characteristics are not contract-bound.