

TORO

CONSTRUCTION AND TREE CARE RANGE

COMPACT UTILITY LOADERS / STUMP GRINDERS



TORO

EXPERTS IN LANDSCAPES

Join the ranks of satisfied customers around the globe – make Toro the preferred name at your home or business.

On golf courses, parks, municipalities, sports fields and individual lawns around the world, our commitment to providing innovative, high quality products and systems to maintain landscapes has become legendary.

From cricket pitches in Australia's largest ovals to professional football stadiums around the world, to St. Andrews, Royal Randwick and Wimbledon, Toro equipment is used to maintain some of the most prestigious landscapes in the world. This passion and experience also led us to develop high quality equipment for landscape construction, with products that make your work as simple and effortless as possible – so you can get on with the job.



The Old Course, St Andrews, Scotland

**TRUSTED BY PROFESSIONALS AND
HOMEOWNERS AROUND THE GLOBE**



INNOVATION

With well over 1500 patents related to turf and landscape maintenance, innovation is at the heart of Toro's success. Continued investment in R&D and new technologies make Toro the preferred choice for all.



CUSTOMER CARE

Our global network of dealers is here to provide the best support to keep your equipment in peak condition. Visit toro.com.au to locate your nearest Toro dealer.



LEGACY OF EXCELLENCE

Since 1914, The Toro Company has built, tested and led innovative solutions to care for your landscape. Today, Toro continues to lead by focusing on creating high performance, environmentally friendly solutions to help our customers around the world preserve the beauty, productivity and sustainability of the land.

Learn more at
Toro.com.au

EFFORTLESS MANOEUVRABILITY.

EASE OF OPERATION FOR ALL LEVELS OF USER EXPERIENCE

Toro's range of compact utility loaders give you greater capability and effortless manoeuvrability, increasing productivity with less time in a short learning curve – even for inexperienced operators.

RUGGED AND RELIABLE

Designed specifically for professionals, these machines are innovative, rugged and reliable pieces of equipment for virtually any job.

SMALL FOOTPRINT WITH ZERO TURN CAPABILITY

The Toro wheeled W320-D diesel and W323 petrol compact utility loaders are built to deliver a high power-to-weight ratio in the compact utility loader category. At only 104 cm wide and zero turn capability, these compact utility loaders can access confined spaces and their short length contributes to efficient trailering. The removable counterweight allows for added lift capacity or increased down pressure for optimal attachment performance.

4 PAW INDEPENDENT 4-WHEEL DRIVE

With 4 Paw independent 4-wheel drive traction system, it's sure on its feet in any environment, wet or dry. The Toro wheeled compact utility loaders are, without doubt, built for Australia's tough conditions.

INCREASED PRODUCTIVITY.



W323

W320-D Series II

W320-D SERIES II KEY FEATURES

- Fuel efficient liquid-cooled 20 HP Kubota® Super-Mini Series diesel engine
- More net horsepower improves traction and delivers added torque to attachments
- Single 15 litre fuel tank
- Heavy-duty air cleaner
- 2-pump system with combined flow of 56.4 lpm at 3,600 rpm hydraulic power
- 2 ground speeds
- Ride on platform provides improved safety and visibility of working area and attachments
- Hi flow electric cooling fan

W323 KEY FEATURES

- 23 HP Kohler® petrol engine
- Dual 21.2 litre fuel tanks
- 2-pump system with combined flow of 56.4 lpm at 3,600 rpm hydraulic power
- 2 ground speeds
- Ride on platform provides improved safety and visibility of working area and attachments
- Easier 'do-it-yourself' maintenance and lower repair costs

WITH VERTICAL LIFT LOADER ARMS



Toro invented the category, now meet the TORO TX 1000 that's redefining the compact utility loader. Designed with Toro exclusive vertical lift loader arms, its outstanding hinge pin height of 81" (206 cm) to clear the side of 23 m² dumpsters and 1,000 kg trucks for maximum jobsite productivity delivers category crushing performance. Patent-pending controls are easy to operate and an innovative foot-operated auxiliary control results in greater efficiency. The TX 1000 is a lightweight, manoeuvrable machine that packs unmatched strength and reach in a compact package for the ultimate working advantage.

VERTICAL LIFT LOADER ARMS

The rated operating capacity 453.6 kg (narrow track) and 487.6 kg (wide track) allows the TX 1000 to lift more than any compact utility loader on the market. This increased load capacity and greater reach at full height delivers even stronger performance. The hinge pin height of 81" (206 cm) allows attachments to easily clear the side of 23 m² dumpsters or 1,000 kg trucks, further improving versatility and the vertical path of lift arms allows for more efficient vertical applications, such as augering or concrete breaking.



HIGH TRACK DRIVE SYSTEM

- Endless Kevlar® reinforced tracks ensure maximum strength and durability
- Ideal for the demands of any jobsite to outperform on any surface, even sand or loose gravel
- Maximum manoeuvrability on uneven surfaces

POWERFUL AND EFFICIENT

- Kubota® D1305 diesel, Tier-4 compliant engine features high torque and increased displacement for the strongest compact utility loader yet
- Fast ground speeds at 7.6 km/h in forward and reverse
- Dual fuel tanks offer all day productivity
- Easy engine access and belt-free design minimise maintenance

EASY OPERATION

- Our patent-pending traction control design is intuitive, easy to operate, effortless
- Auxiliary foot control maintains hydraulic flow to the attachment, freeing the operator's hands to focus on ground speed and attachment positioning
- Dedicated operating platform with thigh and hip padding for increased operator comfort
- Suspended platform has clear line of sight to the attachment plate, machine, and jobsite for maximum visibility

PERFECTLY CONDITIONED FOR ALL CONDITIONS



The Toro TX family of compact utility loader models' auxiliary hydraulic performance makes light work of even the most challenging ground conditions. With exclusive easy-to-use TX control system and the walk-behind design, the TX compact utility loader makes productivity a snap for all levels of operators. A heavy-duty, remote air cleaner is contained under the hood, so it is not prone to damage and sight lines are not impaired.

VERSATILE. RELIABLE. HARD-WORKING

The durable Kevlar® reinforced tracks offer extended life, unlike competitive units with metal inserts. The tracks disperse weight evenly, giving high floatation and a light footprint on turf, yet delivering the necessary traction in loose sand or mud. Its traction system's open design is self-cleaning, which prevents the collection of sand, rocks, mud and debris. Available in diesel and petrol models, these versatile machines work with more than 35 attachments.

The Toro tracked TX525 and TX427 compact utility loaders are the most versatile, reliable and hardest working on the Australian market.

TX525 NARROW/WIDE KEY FEATURES

- 25 HP Kubota® diesel engine
- Track width 15 cm (N) / 24.1 cm (W)
- 22.7 litre fuel tank
- Double Kevlar® reinforced tracks for extended life
- Operational platform allows ride on capability (optional)
- 52.2 lpm at 3,600 rpm auxiliary hydraulic flow
- Heavy-duty, remote air cleaner

TX427 NARROW/WIDE KEY FEATURES

- 27 HP Kohler® petrol engine
- Track width 15 cm (N) / 24.1 cm (W)
- 22.7 litre fuel tank
- Double Kevlar® reinforced tracks for extended life
- Operational platform allows ride on capability (optional)
- 42.4 lpm at 3,600 rpm auxiliary hydraulic flow
- Heavy-duty, remote air cleaner



TX525 Narrow



TX427 Narrow

CUSTOMISE YOUR COMPACT UTILITY LOADER



Vibratory Plow

Optimises pipe-pulling performance while minimising turf damage to reduce time and labour spent on irrigation or cable installations. Pulls pipe up to 46 cm deep. Elliptical vibrating motion moves pipe through difficult soil conditions. Head flexes side-to-side for tight turning.

- Pipe size: up to 3.8 cm flexible polyethylene with standard bullet; 5.1 cm PVC or 36 kg polypipe with taperlock puller
- Swing angle: +/- 30°
- Plow cycle: 1390 vpm
- Max. plow speed: 27 m/min depending on soil conditions
- Overall length: 86 cm;
- Overall width: 72 cm;
- Overall height w/out blade: 69 cm;
- Overall weight: 203 kg.



Leveller

Grade, finish, and spread topsoil and other landscape materials. Back fill trenches. Carry job site materials such as plants, fertiliser, irrigation supplies, and more.

- Length: 85 cm;
- Width: 124 cm;
- Height: 40 cm;
- Weight: 70 kg.



High-Speed Trencher

Ideal for fast, efficient trenching in soft to medium soil conditions. Heavy-duty nose roller bearing and reversible abrasion-resistant boom. 60 cm, 91 cm and 112 cm booms available. Auger speed: 187 rpm at 11gpm.

- Torque: 600Nm at 3000 psi
- Weight: 177 kg.



High-Torque Trencher

Guarantees performance in any soil condition from rock to clay. Heavy-duty nose roller bearing and reversible abrasion-resistant boom. 60 cm, 91 cm and 122 cm booms available. Auger speed: 120 rpm at 11gpm.

- Torque: 900Nm at 3000 psi
- Weight: 177 kg.



4 in 1 Buckets

Wide

Heaped capacity: 6.3 cubic feet.
Struck capacity: 5.3 cubic feet.

- Overall width: 108 cm
- Overall length: 68.5 cm
- Overall height: 55.8 cm
- Overall weight: 166 kg.

Narrow

Heaped capacity: 5.3 cubic feet.
Struck capacity: 4.3 cubic feet.

- Overall width: 88 cm
- Overall length: 68.5 cm
- Overall height: 55.8 cm
- Overall weight: 145 kg.

Extra High Volume - TX 1000 only

Heaped capacity: 9.0 cubic feet.
Struck capacity: 7.8 cubic feet.

- Overall width: 135 cm
- Overall length: 80.4 cm
- Overall height: 55.8 cm
- Overall weight: 212 kg.



Hydraulic Blade

Designed for versatility, this 122 cm blade angles 30° both right and left with the flip of a lever. The blade can be removed and rotated 180° to increase blade life.

- Overall width: 122 cm;
- Overall height: 53 cm;
- Overall weight: 64 kg.



Soil Cultivator

Prepares seed bed in one pass, tilling soil up to 14 cm deep. Adjustable grading bar and comb teeth leave perfect germination environment. Bury stones, soil clods, debris and grass. Totally enclosed oil bath drive system increases power and torque to the tiller shaft and tines.

- Working width: 91 cm
- Overall width: 130 cm;
- Overall height: 53 cm;
- Overall length: 130 cm;
- Weight: 195 kg.



Power Box Rake

Perfect tool for seed bed and sod bed preparation. Easily adjust depth to fill, plane and pulverise soil. Reversible end plates for forward or reverse operation. Roller drum removes rocks and debris, leaving dimpled surface for moisture retention. Adjustable yoke allows 20° offset. Carbide-teeth rotary drum pulverises rough soil, cuts high spots and fills low spots in one pass.

- Working width: 122 cm;
- Overall width: 170 cm;
- Overall height: 102 cm;
- Overall length: 66 cm;
- Weight: 231 kg.



Multi - Purpose Tool

3 tools in 1: ripper, towbar, boom. Ripper: 3 thick steel tines — great for digging and breaking up soil. Towbar: Accepts ball with 2.5 cm diameter threads (ball not included). Boom and chain length 114 cm; ideal for planting and hauling trees and shrubs.

CUSTOMISE YOUR COMPACT UTILITY LOADER



Bore Drive Head & Rod & Reamer Kit

Easily bore under driveways and sidewalks to simplify irrigation and cable installations. Working depth: 49 cm. Features universal joint keeping rods in horizontal digging position, regardless of head position.

Standard Rod and Reamer Kit:

- Boring Bit: 4.4 cm; Reamer: 6.3 cm;
- Drill rods (4): 2.2 cm diameter, by 1.5 m
- Optional bits from 3.2 – 6.4 cm
- Optional reamers up to 11.4 cm.



Trench Filler

Fill trenches in a single pass, saving time and money. Two sets of opposing augers direct spoils into the hole. Standard float mechanism allows for up to 12.7 cm of ground following floatation. Skids evenly disperses weight and slide easily over turf, minimising damage.

- Overall width: 157 cm;
- Working width: 122 cm;
- Auger diameter: 35.6 cm;
- Float distance: 15 cm;
- Weight: 186 kg.



Stump Grinder

Index position of blade adjusts up to 30°, allowing easy removal of roots. Cuts up to 91 cm above and 53 cm below grade

- Wheel diameter: 34 cm;
- Teeth count: 12 carbide tipped;
- Wheel speed: 2000 rpm;
- Tooth tip speed: 45 m/sec
- Width: 112 cm with debris shield;
- Length: 51 cm;
- Height: 79 cm;
- Weight: 120 kg.



Tree Forks

Opens wide to handle large trees and shrubs. Angle design allows for gentle handling of materials

- Overall width: 62 cm;
- Overall length: 114 cm;
- Overall height: 32 cm;
- Opening at tip: 63 cm;
- Weight: 77 kg.



Tiller

Heavy-duty, high-torque design. Hardened steel tines for any soil condition, including clay or hardpan. Till more than 15 cm deep and 102 cm wide on one pass. Reversible tine direction frees jams quickly.



Buckets

- Standard bucket: Holds 4.3 cubic feet; Width: 107 cm
- Light materials bucket: Holds 6.9 cubic feet; Width: 122 cm
- Narrow bucket: Holds 3.5 cubic feet; Width: 88 cm
- Optional tooth bar available.

See parts catalogue for details.



Cement Bowl

Flighting mixes and holds cement in bowl. Mix, haul, and pour up to 90.7 kg. Auger power head required (sold separately).

- Diameter: 64 cm;
- Length: 46 cm;
- Weight: 34 kg.



Backhoe

Versatile — dig foundations, plant trees, trench and much more. Folds to 86 cm wide for access to tight spaces and ease of transport. 180° bucket and swing arm rotation, 208 cm digging depth, and standard 133 cm bucket

- Transport height: 180 cm
- Weight: 346 kg
- Stabiliser spread: 198 cm
- Bucket digging force: 1,110 kg
- Crowd arm digging force: 566 kg.

Note: Does not fit on TX 1000.



TX 427 Narrow with trencher shown here

Grapple Rake

Exceptional power for clamping and holding. Ideal for picking up and removing trees, bushes, roots and rocks — as well as demolition and construction debris. Tines constructed of 9.5 mm AR400 steel*.

- Overall width: 88 cm;
- Weight: 121 kg
- Clamping force: 1,359 kg.

*Nearly twice as hard, 50% better wear than T1 steel.



Adjustable Forks

Easily adjust forks to desired width. Carry fence posts, rocks, pallets, plants, fertiliser, irrigation supplies and more. Forks constructed of high-strength T1 steel.

- Lift capacity: 136 kg;
- Maximum lift height: 155 cm;
- Width: 80 cm;
- Weight: 74 kg.



Universal Swivel Auger Power Head

Ensures "plumb" holes on uneven terrain. Recommended for augers up to 46 cm. Perfect for installing fences.

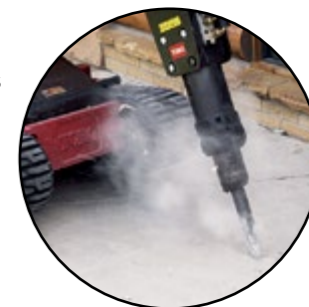
- Bit speed: 86 rpm at 11 gpm
- Torque: 1300Nm at 3000psi at 11 gpm
- Dig up to 2 metre holes
- Bit length 106 cm; 60 cm and 30 cm extensions available
- Optional cement bowl.



High-Torque Auger Power Head

Designed specifically to power up to 76 cm diameter auger in tough soil conditions. Excellent for digging holes for trees, footings or irrigation valve boxes. Heavy-duty motor, casting and bearings.

- Torque: 2054Nm at 3000 psi at 11 gpm
- Auger bits from 15 cm to 76 cm
- Bit length: 107 cm; 30 cm and 60 cm extensions available
- Bit speed: 57 rpm at 11 gpm
- Optional cement bowl.



Hydraulic Breaker

Horizontal and vertical positions for demolishing driveways, sidewalks, steps, or walls. Powerful; delivers 244Nm of force and up to 1250 blows per minute.

- Tool diameter: 4.5 cm;
- Overall width: 62 cm;
- Overall length: 127 cm;
- Weight: 119 kg
- Optional bits available: 5 cm chisel 16.5 cm asphalt; 20 cm tamper moil bit.

See parts catalogue for details.

SIMPLICITY INSTEAD OF COMPLEXITY

Tracks instead of wheels. Simplicity instead of complexity. Tracks combined with Toro's exclusive easy-to-use control system provides unparalleled manoeuvrability, all while offering the ultimate in operation.

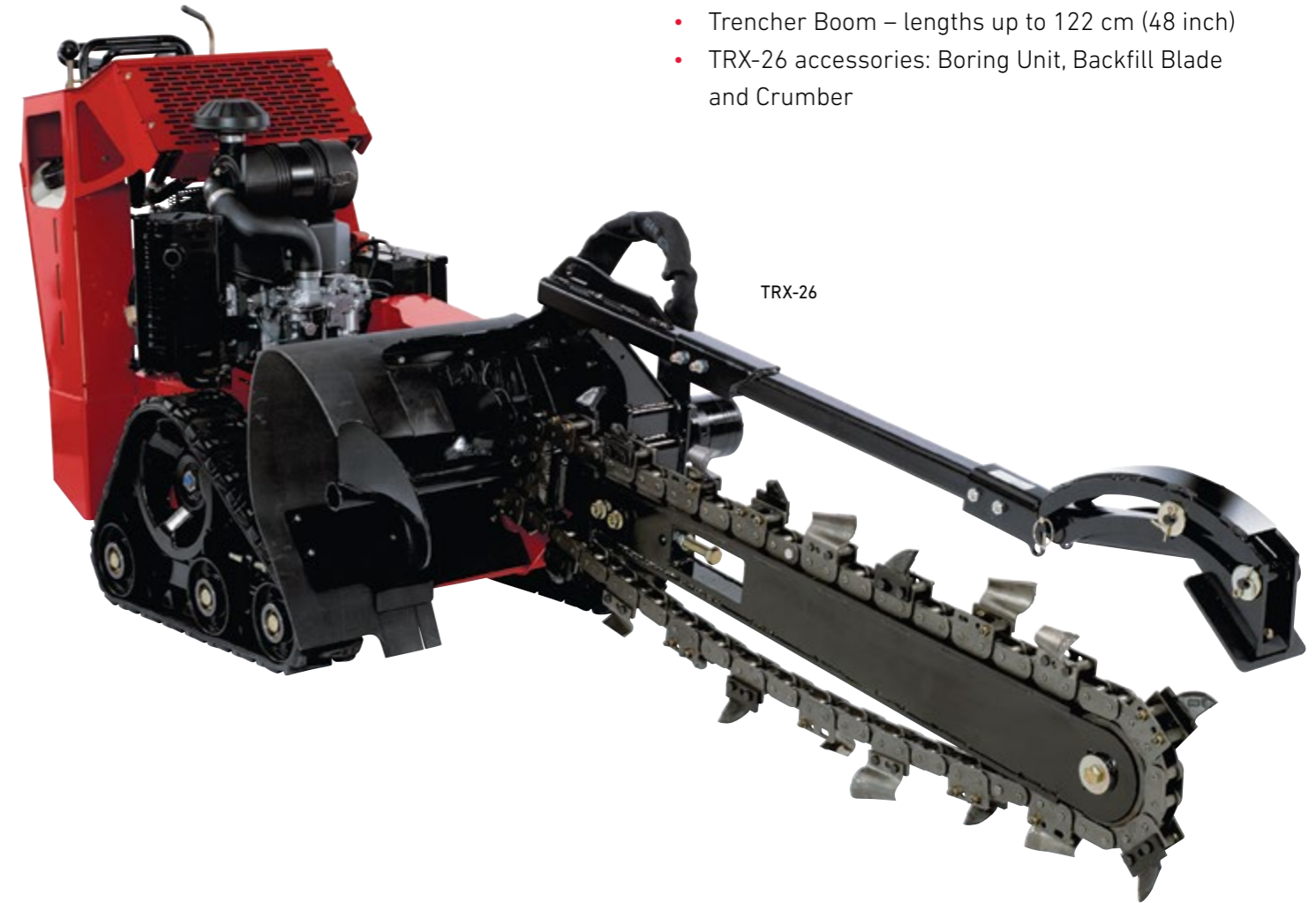


The Toro TRX-26 walk-behind trencher redefines dedicated walk-behind trenchers, setting a new standard for ease of use – so intuitive and simple to operate with its TRX control system.

It works faster and straighter than you would expect from a walk-behind trencher. The track drive design provides a low centre of gravity and a large light footprint, offering stability and increased manoeuvrability – without causing damage to existing turf. The TRX-26 walk-behind trencher also makes valve box installation a snap with its ability to cross-trench without damaging trench sidewalls.

KEY FEATURES

- 26 HP Kawasaki® V-Twin engine
- 86.4 cm (34 inch) width allow easy access through standard 91 cm (3 foot) gates
- Three-pump 123.1 lpm combined hydraulic flow for maximum digging efficiency
- Easy-to-use TX-style traction control system
- Dual Element Air Cleaner reduces engine wear
- Trencher Boom – lengths up to 122 cm (48 inch)
- TRX-26 accessories: Boring Unit, Backfill Blade and Crumber



TRX-26



TRX control system operates with three easy controls

Three simple controls operate all traction and trenching functions.

- 1 Chain engagement (forward and reverse)
- 2 Steering system (forward, reverse and turn)
- 3 Trencher boom depth (up and down)

ADVANCED PERFORMANCE. EASY OPERATION.



The Toro STX-38 EFI Stump Grinder is built for outstanding durability in the toughest conditions. The STX-38 now features an electronic fuel injected engine and a redesigned cutter head for the best performance and grinding ability on the market. Fully hydraulic operation means no chance of expensive belts breaking or slipping and no tension adjustments.

The Intelli-Sweep™ feature automatically slows the sweep speed of the cutting head based on the load of the wheel, so heavy cutting loads won't bog down the engine.

And with easy-to-use TX style controls and tracks for manoeuvrability and stability, the STX-38 EFI is extremely operator-friendly. Best of all, ground speeds of 8.0 km/h allow you to spend more time grinding and less time transporting the machine for greater productivity.

HYDRAULICALLY DRIVEN HEAD

- Eliminates labour of tightening or replacing costly poly-chain® belts or clutches
- No need to replace expensive cogged pulleys
- No worry of customers engaging grinder head at full throttle
- Eliminates shock loads to the engine from belts slipping or head stopping
- Heavy-duty sealed, greasable bearing housing and cutter shaft minimise maintenance
- Intelli-Sweep™ feature automatically adjusts sweep speed based on the load on the cutter wheel to maintain optimal operation
- Cutter head and guard design allow for exceptional below-grade grinding and chip management

USER-FRIENDLY DESIGN

- Single-cylinder sweep and lift design delivers a straight cut
- All-hydraulic sweep control valve facilitates side-to-side feathering
- 999cc Kohler® Command PRO® ECV980 engine with electronic fuel injection (EFI) and electric start delivers reliable power
- 84.6 cm (33.3 inch) machine width — easily fits through 91.4 cm (36 inch) gates
- Frame design provides excellent cutter wheel visibility

HI-DRIVE TRACK SYSTEM

- Low centre of gravity and large footprint increase stability on side hills
- Eliminates tyre ruts and flat tyres
- Operates in soft, wet ground conditions
- Track design climbs curbs and allows for zero turn capability

**STX control system operates with two easy controls**

Easy-to-use control system offers smooth operation and fewer levers/knobs than conventional stump grinders.

An armrest near the joystick also reduces operator fatigue.

1 Steering System (forward, reverse, turn) allows for zero turn capability

2 Sweep, lift/lower and engagement of grinder head

MORE GRINDING. LESS GRIND.

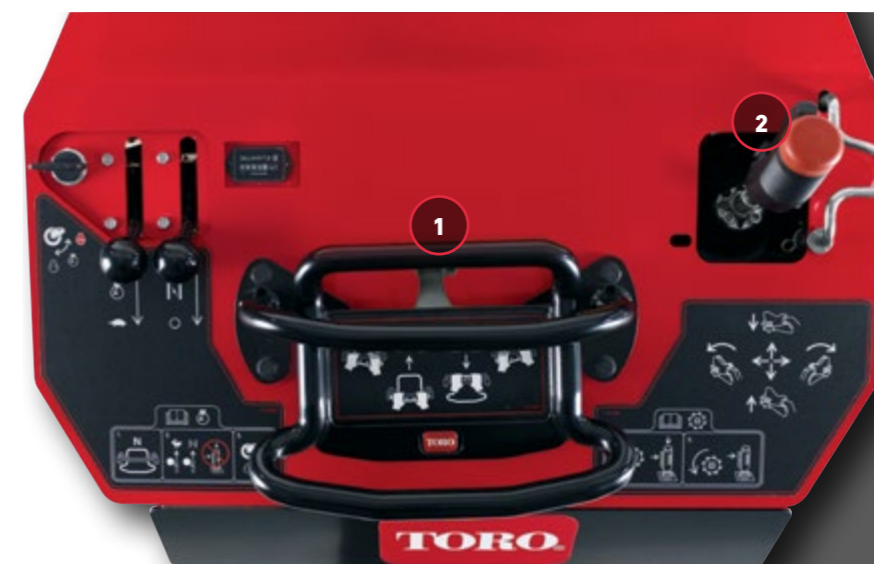


The Toro dedicated STX-26 Stump Grinder will give you strength and stability when grinding stumps. The V-Twin cylinder Kawasaki® engine will ensure an easy start every time, while counterbalanced wheel motors will prevent any movement to help you get the job done faster.

From pine to gum, the Toro STX-26 Stump Grinder grinds down stumps quickly and efficiently. Some dedicated stump grinders are over complicated. Not the Toro STX. Its patented Toro® TX-style control system has two simple levers that are simple to learn, master and use. Combine these easy-to-use controls with tracks and transport speeds exceeding 6.8 km/h, and you get maximum productivity. The STX-26 now features Intelli-Sweep™ which automatically slows the sweep speed of the cutting head based on the load of the wheel, so heavy cutting loads won't bog down the engine. Wet, hilly terrain won't stop you from accessing tough jobs year-round with an STX stump grinder; the tracks travel easily over muddy areas. The tracks also provide a low centre of gravity adding exceptional side hill stability. In addition, the hydraulically driven head means no chance of expensive belts breaking or slipping and no tension adjustments — guaranteeing optimal performance time after time.

KEY FEATURES

- 26 HP Kawasaki® engine
- Fits easily through standard 91.4 cm (3 foot) gates
- Track design allows for zero turn capability
- Offset cutting head provides excellent visibility
- Improved cutter head motor for durability
- Full hydraulic operation — no belts to adjust or cogged pulleys and clutches to replace
- Tracks offer exceptional side hill stability
- Twelve 3-position GreenTeeth® for cutting
- Intelli-Sweep™ automatically adjust sweep speed based on load to maintain optimal operation



Traction Controls

Easy-to-use control system offers smooth operation and fewer levers/knobs than conventional stump grinders.

Two simple controls operate all traction and grinder functions.

1 Left/right traction control (forward, reverse, turn)

2 Sweep, lift/lower and engagement of grinder head.

TOUGH JOB? IT'LL HANDLE IT.

Perfect for removal of small stumps. With the Greenteeth tooth design you're assured the smoothest cutting experience of any walk-behind stump grinder on the market.



Toro's SGR handle bar grinders are great for grinding small stumps in areas with tight access. Well-balanced, easy to operate and simple to maintain, they provide some of the smoothest cutting performance of any handle bar stump grinder on the market. The Greenteeth cutting teeth on SGR-13 are easy to service and doesn't require re-sharpening as well as being less costly to replace. They can also be indexed in three positions.

EXPERTS IN SMALL SPACES.

KEY FEATURES

- 13 HP Honda® engine
- Greenteeth design allows easy maintenance of teeth
- Rubber gaskets between components results in less operator vibration
- Well-balanced machine equates to less "muscling" machine while cutting
- Heavy-duty centrifugal clutch
- Lift handles for easy loading



SGR-13

GENUINE TORO PARTS, AFTERMARKET SUPPORT

To best protect your investment and maintain optimal performance of your construction and tree care equipment, count on Toro genuine parts. When it comes to reliability, Toro delivers replacement parts designed to the exact engineering specifications of our equipment.

For peace of mind, insist on Toro genuine parts.



RESPONSIVE TORO DEALERS

Toro dealers have the skills, training and commitment to keep your equipment performing its best. Leveraging their extensive inventory and Toro's industry-leading fill rate on parts, your Toro dealer leads the market in parts availability.

VISIT YOUR LOCAL TORO DEALER

Count on our national network of certified dealers for genuine Toro parts and service support. Toro construction and tree care equipment dealers regularly undergo extensive technical training to stay knowledgeable about the servicing and operation of new products.

WARRANTY AND FINANCE

WARRANTY

Toro stands behind its equipment with comprehensive warranty coverage (see your Toro dealer for complete details).

- Two year or 1000 hour[^] limited warranty on all Construction equipment traction units, STX Stump Grinders and attachments^{^^}

All tree care products other than STX Stump Grinders have a 1 year or 1000 hour limited warranty[^].

[^]Whichever occurs first.

^{^^}The 4 in 1 bucket attachments and associated components have a 6 month warranty.

TORO PROTECTION PLUS (TPP)

Protect your investment. Stabilise your budget.

Toro Protection Plus (TPP) is comprehensive protection for new Toro equipment. The coverage is essentially the same as with the standard Toro warranty and provides extensive protection against mechanical breakdown beyond the warranty period.

TPP provides seamless coverage – whenever the Toro Warranty expires (either after the time period or because the total hours have been reached), TPP is there to continue coverage against mechanical breakdowns.

See your local dealer for more information.

FINANCE

Toro can facilitate custom finance packages at market-leading rates with a simple application process, and pre-approved lines of credit. With finance terms ranging from 12 through to 66 months, and the flexibility of tailoring a repayment structure to match your cashflow requirements, you can count on a Toro Finance option to meet your needs.

For more information, contact your local certified Toro dealer.



SAFE PRODUCTS DESIGNED TO PROVIDE PEACE OF MIND

Toro has a longstanding reputation for designing safe products. Every piece of Toro equipment is rigorously tested to strict requirements.

SAFETY EDUCATION FOR YOU AND YOUR EMPLOYEES

At Toro, we produce our machines with safety in mind and test against rigorous safety standards, but it doesn't stop there. We offer tools to help train and protect you and your crew – and help safeguard your business. From on-line operator's manuals to product safety and training videos, all to assist and reinforce safe operation of our products and to further enhance the training of operators and keep them safe.

PERFORMANCE EVALUATIONS

Each new Toro product is subjected to extensive high-tech testing at Toro's corporate headquarters, as well as extensive field evaluations in various types of working and operational conditions. Even after all of this testing, we still place product samples in the field with equipment professionals to ensure the machines and attachments perform as intended.



	W323 22318	W320-D Series II 22337CP
POWER SYSTEM		
Engine	23 hp Kohler® Command Model CH680S, 4-cycle, air cooled, 2 cylinder	20 hp Kubota® diesel
Power	17.2 kW (23 hp) at 3600 rpm (Gross, per SAE J1995) 14.4 kW (19.3 hp) at 2600 rpm (Gross, per SAE J1349)	14.9 kW (20.0 hp) at 3600 rpm 44.0 Nm (32.5 ft-lbs) at 2600 rpm
Peak Torque	44 Nm (33 ft-lbs) at 2600 rpm (Gross, per SAE J1995)	45.2 Nm (33.3 ft-lbs) at 2500 rpm
Fuel Tank	Dual rotationally moulded cross-linked high-density polyethylene fuel tanks with sealed (ratcheting and tethered) caps. A fuel shut-off valve in the fuel line near each tank.	Single rotationally moulded high-density polyethylene fuel tank with a vented cap. A fuel shut-off valve in the fuel line near the base of the tank.
Fuel Tank Capacity	Dual 21.2 litre fuel tanks	15 Litres
Battery	The battery is a 12 volt, BCI group size U1, with 340 CCA minimum at -18 degrees C (0 degrees F) and, 38 minutes reserve capacity at 27 degrees C (80 degrees F) and 25 amp discharge rate per SAE J537L.	The battery is a maintenance free, 12 volt, BCI group size 51, with 435 CCA minimum at -18 degrees C (0 degrees F) and, 70 minutes reserve capacity per SAE J537L.
Electrical Interlocks	The auxiliary power control lever and traction control levers must be in neutral (centre) position for the engine to start.	
Hydraulic Pump	Tandem gear pump connected to the engine crankshaft with flexible rubber couplers.	
Hydraulic Pressure	224 bar (3250 psi) system relief pressure	224 bar (3250 psi) system relief pressure
Hydraulic Flow	Low-Flow Circuit: 15.5 lpm (3.4 gpm) at 3600 rpm High-Flow Circuit: 40.9 lpm (9.0 gpm) at 3600 rpm	Low-Flow Circuit: 15.5 lpm (3.4 gpm) at 3600 rpm High-Flow Circuit: 40.9 lpm (9.0 gpm) at 3600 rpm
Wheelbase	71.0 cm	71.0 cm
Wheels	10.0 x 6.0 inches, five bolt, centre drop, heavy gauge steel	
Ground Speeds	0-6.0 km/h (0-3.7 mph) forward or reverse (infinitely variable)	0-4.8 km/h (0-3.0 mph) forward or reverse (infinitely variable)
Ground Clearance	15.0 cm front; 15.0 cm rear	15.0 cm front; 15.0 cm rear
Auxiliary Power Control	A hydraulic valve lever in the front of the right handgrip above the control panel activates hydraulically powered attachments. Pull the lever rearward (non-detented) to operate the attachment in the forward direction, and push the lever forward (detented) to operate the attachment in the reverse direction.	A hydraulic valve lever in the front of the right handgrip above the control panel activates hydraulically powered attachments. Pull the lever rearward (non-detented) to operate the attachment in the forward direction, and push the lever forward (detented) to operate the attachment in the reverse direction.
USER-FRIENDLY FEATURES		
Dimensions	Length: 208.8 cm w/bucket; 157.5 cm w/o bucket Width: 104.0 cm standard tyres; 90.0 cm narrow tyres Height: 123.7 cm	Length: 208.8 cm w/bucket; 157.5 cm w/o bucket Width: 104.0 cm standard tyres; 90.0 cm narrow tyres Height: 123.7 cm
Hinge Pin Height	167.6 cm standard bucket – highest position	167.6 cm standard bucket – highest position
Dump Height	119.4 cm with standard bucket	119.4 cm with standard bucket
Dump Angle	34° standard bucket	34° standard bucket
Reach	71.1 cm standard bucket	71.1 cm standard bucket
Maximum Operating Height	231.7 cm	231.7 cm
Tip Capacity	467 kg	475.4 kg
SAE J818 Rating 50% Tip Capacity	234 kg (with 91 kg operator)	237.7 kg
Weight	711 kg (1,567 lbs) without attachment 777 kg (1,713 lbs) with standard bucket	781.1 kg (1,722 lbs) without attachment 847.3 kg (1,868 lbs) with standard bucket
Warranty	Two years or 1000 hour limited warranty*	

*See dealer for full warranty details. We reserve the right to improve our products and make changes in the specifications, designs and standard equipment without notice and without incurring obligation.

SPECIFICATIONS

	TX 1000 Narrow 22327	TX 1000 Wide 22328
POWER SYSTEM		
Engine	24.8 hp Kubota® D1305 3 cylinder, liquid cooled, diesel	
Power Output Torque	18.5 kW (24.8 hp) at 2,600 rpm (as per SAE J1995) 108.6 Nm (80.1 ft-lbs) at 1,700 rpm (as per SAE J1995)	
Air Filter	Heavy-duty, remote as standard	
Oil Capacity (with filter)	5.7 litres	
Track	Sprocket-drive, 6 road wheels per side. The tracks are Kevlar reinforced, endless rubber rings with 37 internal drive lugs. The outer tread on the tracks is a turf friendly S shaped pattern with pitched crosscuts.	
Track Width	14.9 cm (5.88 inches)	24.1 cm (9.50 inches)
Track Pitch	8.7 cm (3.45 inches)	
Fuel Tank	Dual cross-linked polyethylene rotational mouldings with a top draw fuel outlet and vented fuel caps.	
Fuel Tank Capacity	41.64 litres	
Battery	A 12 volt maintenance free, calcium alloy wet battery, with 690 CCA and 110 minute reserve capacity powers the electrical system.	
Electrical Interlocks	Interlocks are controlled through a combination of relays and module software: - To start the machine, the auxiliary control must be in neutral. - To start the machine, the traction control must be in neutral. - If the traction is moved with the parking brake on, the machine will shut off.	
Hydraulic Pressure	3,000 PSI	
Hydraulic Flow	Traction: 50.35 l/min (11.1 gpm imperial) each pump Auxiliary: 57.5 l/min (12.7 gpm imperial)	
Reservoir Capacity	57.5 litres	
Hydraulic Pump	The traction circuit is powered by a dual hydrostatic pump stack in a closed loop system.	
Engine Control	All engine controls are panel mounted, including the ignition and throttle.	
Auxiliary	The auxiliary hydraulic flow to any hydraulically operated attachment is controlled by the auxiliary valve lever. A foot operated electric detent for locking in the auxiliary in the forward and reverse directions, is located on the operator platform.	
Wheelbase	104.1 cm (41.0 inches)	
Ground Speeds	0-7.6 km/h (0-4.7 mph) forward and reverse	
Ground Pressure	37.23 kPa (5.4 psi) – traction unit weight only	24.87 kPa (3.6 psi) – traction unit weight only
Ground Clearance	15.2 cm	

USER-FRIENDLY FEATURES

Dimensions	Length: 256 cm w/ bucket; 208.3 cm w/o bucket Width: 84.8 cm Height: 138.1 cm	Length: 256 cm w/ bucket; 208.3 cm w/o bucket Width: 102.9 cm Height: 138.1 cm
Hinge Pin Height	206 cm	206 cm
Dump Height	154.9 cm	154.9 cm
Dump Angle	40°	40°
Reach	62.5 cm fully raised	62.5 cm fully raised
Maximum Operating Height	267.2 cm	267.2 cm
Tip Capacity	1,295.9 kg (2,857 lbs) as per SAE J732	1,393 kg (3,071 lbs) as per SAE J732
Rated Operating Capacity SAE J818 35% of Tip Capacity	453.6 kg (1,000 lbs)	487.6 kg (1,075 lbs)
Weight	1,183.87 kg (2,610 lbs)	1,265.52 kg (2,790 lbs)
Warranty	Two years or 1000 hour limited warranty*	

	TX525 Narrow/Wide 22323 (N) / 22324 (W)	TX427 Narrow/Wide 22321 (N) / 22322 (W)
POWER SYSTEM		
Engine	25 hp Kubota® diesel	27 hp Kohler® Command Pro petrol
Power Output Torque	18.6 kW (25 hp) at 3400 rpm 57.4 Nm (42.3 ft-lbs) at 2600 rpm 3400 rpm high idle	20.1 kW (27 hp) at 3600 rpm 57.9 Nm (42.7 ft-lbs) at 3000 rpm
Track	The tracks are Kevlar reinforced, endless rubber rings with 28 internal drive lugs. The outer tread on the tracks is a turf-friendly S-shaped pattern with pitched crosscuts.	
Track Width	14.9 cm (5.88 inches) (N) 24.1 cm (9.5 inches) (W)	14.9 cm (5.88 inches) (N) 24.1 cm (9.5 inches) (W)
Track Pitch	8.8 cm (3.45 inches)	
Fuel Tank	The fuel tank is a cross-link polyethylene rotational moulding with a top draw fuel outlet and a vented fuel cap.	The fuel tank is a cross-link polyethylene rotational moulding with a top draw fuel outlet and a sealed fuel cap (ratcheting and tethered).
Fuel Tank Capacity	22.7 litres	22.7 litres
Battery	A 12 volt, BCI group 55 battery with 585 CCA powers the electrical system	
Electrical Interlocks	Relays and switches are installed on the machine to ensure the following requirements: - To start the machine, the auxiliary hydraulic valve must be in neutral - To start the machine, the traction control must be in neutral	
Hydraulic Pump	A two-section tandem gear pump, coupled directly to the engine powers the loader and auxiliary hydraulic systems.	
Engine Control	All engine controls are panel mounted, including the ignition, throttle and glow plugs. The throttle is remote cable operated.	All engine controls are panel mounted, including the ignition, throttle and choke. The throttle and choke are remote lever / cable operated.
Auxiliary	The auxiliary hydraulic flow to TX attachments is controlled by the auxiliary valve lever.	
Wheelbase	79.0 cm	79.0 cm
Ground Speeds	Forward: 0-7.2 km/h (0-4.5 mph) Reverse: 0-3.2 km/h (0-2 mph)	Forward: 0-7.2 km/h (0-4.5 mph) Reverse: 0-3.2 km/h (0-2 mph)
Ground Pressure	Narrow: 34.5 kPa (5 psi) – traction unit weight only Wide: 24.1 kPa (3.5 psi) – traction unit weight only	Narrow: 34.5 kPa (5 psi) – traction unit weight only Wide: 24.1 kPa (3.5 psi) – traction unit weight only
Ground Clearance	11.7 cm	11.7 cm

USER-FRIENDLY FEATURES

Dimensions	Length: 233.7 cm w/ bucket; 180 cm w/o bucket Width: 85.6 cm (N); 104.0 cm (W) Height: 117.1 cm	Length: 233.7 cm w/ bucket; 180 cm w/o bucket Width: 85.6 cm (N); 104.0 cm (W) Height: 117.1 cm
Hinge Pin Height	167.1 cm	167.1 cm
Dump Height	117.1 cm	117.1 cm
Dump Angle	38°	38°
Reach	55.4 cm fully raised	55.4 cm fully raised
Maximum Operating Height	229.0 cm	229.0 cm
Tip Capacity	716.7 kg (1,580 lbs) – per SAE J732	671.3 kg (1,480 lbs) – per SAE J732
SAE J818 Rating 50% Tip Capacity	360 kg (793 lbs)	348 kg (767 lbs)
SAE J818 Rating 35% Tip Capacity	250.8 kg (553 lbs)	226.8 kg (500 lbs)
Weight	Narrow: 863.6 kg (1,904 lbs) – traction unit only 918.1 kg (2,024 lbs) – with TX bucket Wide: 913.1 kg (2,013 lbs) – traction unit only 967.5 kg (2,133 lbs) – with TX bucket	Narrow: 853.7 kg (1,882 lbs) – traction unit only 908 kg (2,002 lbs) – with TX bucket Wide: 902.7 kg (1,990 lbs) – traction unit only 957.1 kg (2,110 lbs) – with TX bucket
Warranty	Two years or 1000 hour limited warranty*	

SPECIFICATIONS

TRX-26 22974

POWER SYSTEM

Engine	26 hp Kawasaki® FX730V, 4-cycle, air cooled, V-twin
Fuel Tank	18.2 litres
Oil Capacity	2.1 litres (1.9 Imperial quarts) with oil filter change 1.8 litres (1.6 Imperial quarts) without oil filter change
Start Method	Solenoid shift type electric starter motor
Gear Pump	A single section 53.0 lpm (11.7 gpm) gear pump powers the lift and trencher hydraulic systems.
Hydrostatic Drive	The traction circuit is powered by independent, belt driven hydrostatic in dual closed loop systems. The pumps are Hydro-gear PG pumps and have service bypass valves for towing. The pumps are mechanically actuated by the patented Toro TX traction control system, utilising on-pump neutral centring systems.
Hydraulic Capacity	23.8 litres (5.2 Imperial gallons) – full 22.7 litres (5.0 Imperial gallons) – nominal fluid level
Battery	A 12 volt, BCI group U1 battery with 300 CCA powers the electrical system.
Electrical Interlocks	Switches are installed on the machine to ensure the following requirements: – To start the machine, the auxiliary hydraulic valve must be in neutral – To start the machine, the traction control must be in neutral – If the parking brake is ON, the engine will cut out when the attempt is made to drive the machine
Engine Controls	Panel mounted, including the ignition, throttle and choke. The throttle and choke are remote lever/cable operated.
Steering	Toro TX patented control system
Auxiliary	A two-step, spring return (operator presence) lever connects to the trencher spool on the control valve and actuates the spool for the trencher motor.
Headshaft Speed	210 rpm with 554 ft/lbs of torque
Track	5.9 inches (15.0 cm) wide-endless nylon reinforced rubber track
Track Drive	Sprocket-drive; 3 road wheels per side. Traction dual hydrostatic pump.

USER-FRIENDLY FEATURES

Dimensions	Length: 210.0 cm (82.5 inches) (boom up); Width: 85.9 cm (33.8 inches); Height: 116.8 cm (46.0 inches)
Weight	566 kg (1,248 lbs)
Performance	Trench Depth (max) 2 Foot Boom – 61.0 cm (24.0 inches) 3 Foot Boom – 91.0 cm (36.0 inches) 4 Foot Boom – 122.0 cm (48.0 inches) Trenching Angle: 0-65 degrees Trench Width: 10.0 – 15.0 cm (4.0 – 8.0 inches) Auger Diameter: 31.8 cm (12.5 inches) Auger Length: 32.54 cm (12.81 inches), 41.4 cm (16.3 inches) from centre of chain Auger Speed: 226 rpm (95% efficiency) Torque: Approximately 427.1 Nm (315 ft-lbs) at 172.4 bar (2900 psi) – 95% efficiency Ground Speeds: Forward: 0-5.3 km/h, Reverse: 0-1.7 km/h Ground Pressure: 28.3 kPa (4.1 psi), 29.7 kPa (4.3 psi) with 3 foot boom
Chain Types	2-pitch chain with 4-pitch soil-cup tooth 2-pitch combo Chains (rock and soil) 2-pitch "Shark" welded rock tooth
Warranty	Two years or 1000 hour limited warranty*

STX-38 23214

POWER SYSTEM

Engine	34.8 hp Kohler® Command PRO ECV980, 999cc, 4-cycle petrol air-cooled V-twin engine
Air Cleaner	Heavy-duty, dual element canister type
Power	25.95 kW (34.8 hp) @3,700 rpm, per SAE J1995
Peak Torque	71.86 Nm (53.0 ft-lbs), per SAE J1995
Fuel Tank	The fuel tank is a black colour and polyethylene rotational moulding with a bottom fuel outlet, tethered and sealed fuel cap. Fuel gauge screwed into tank.
Fuel Tank Capacity	35.2 litres
Gear Pump	A dual section Casappa cast iron PH Series Gear Pump 73.8 lpm flows to the cutter wheel and 7.4 lpm for the lift circuit flow.
Hydrostatic Drive	The traction circuit is powered by independent, belt driven hydrostatic pumps and LSHT motors in dual closed loop systems. The pumps are Hydro-gear PR pumps. The pumps are mechanically actuated by the patented Toro TX traction control system, utilising on-pump neutral centring systems.
Hydraulic Capacity	40.8 litres
Engine Oil Capacity	2.9 litres with engine oil filter change
Start Method	Solenoid shift type electric starter motor
Battery	A 12 volt, EPM Group U1 battery with 350 CCA and 38 minutes reserve capacity powers the electrical system
Electrical Interlocks	Switches are installed on the machine to ensure the following requirements: – To start the machine, the auxiliary hydraulic valve must be in neutral; – To start the machine, the traction control must be in neutral; – To move the machine, the parking brake must be off
Engine Controls	Panel mounted, including the ignition, throttle and choke. The throttle and choke are remote lever/cable operated.
Steering	Toro TX patented control system
Lift & Rotate	A pivoting lever on the right hand side of the control panel connects to the lift spool on the control valve and actuates the spool for the lift cylinder. This lever can also be actuated side to side for swinging of the grinder head.
Auxiliary	A two-step, electrical (operator presence) button on the control lever connects to the grinder spool on the control valve and actuates the spool for the grinder motor.
Frame	The main frame is a fabricated weldment constructed mainly of 6.4 mm (0.25 inch) steel plate with in-frame welded hydraulic tank.
Wheel	56.5 cm (22.25 inches) diameter to tooth; 2.54 cm (1.0 inch) thick
Number of Teeth	16 (8 per side)
Cutter Depth	45.7 cm (18.0 inches) below grade
Cutter Height	89.0 cm (35.0 inches) above grade
Head Swing	132.1 cm (52.0 inches) radius x 60° sweep arc
Intelli-Sweep™	Standard

USER-FRIENDLY FEATURES

Dimensions	Length: 241.0 cm (95.0 inches); Width: 84.6 cm (33.3 inches); Height: 128.8 cm (50.7 inches)
Ground Speed	8.0 km/h maximum travel speed
Weight	794 kg (1,750 lbs)
Track	Aramid reinforced, endless rubber rings with 34 internal drive lugs. The outer tread on the tracks is a turf-friendly S-shaped pattern with pitched crosscuts.
Track Width	14.94 cm (5.88 inches)
Track Pitch	8.76 cm (3.45 inches)
Warranty	Two years or 1000 hour limited warranty*

SPECIFICATIONS

STX-26 23208

POWER SYSTEM

Engine	26 hp Kawasaki® FX730V, 4-cycle, air cooled, V-twin engine with vertical crankshaft, overhead valves and pulse fuel pump
Air Cleaner	Dual element 'KAI' air filter with rotating metal intake screen
Power	19.0 kW (26.0 hp) at 3600 rpm (gross), 16.8 kW (22.5 hp) per SAE J1349
Peak Torque	57.1 Nm (42.1 ft-lbs) at 2400 rpm (gross), 48.5 Nm (35.8 ft-lbs) at 2400 rpm per SAE J1349
Fuel Tank	The fuel tank is a natural-coloured polyethylene rotational moulding with a bottom fuel outlet and sealed (ratcheting and tethered) fuel cap.
Fuel Tank Capacity	18.2 litres
Gear Pump	Dual section 53.0 lpm (11.7 Imperial gpm) and 7.6 lpm (1.7 Imperial gpm) gear pump powers lift, rotational and grinder hydraulic systems
Hydrostatic Drive	The traction circuit is powered by independent, belt driven hydrostatic pumps and LSHT motors in dual closed loop systems. The pumps are Hydro-gear PG pumps and have service bypass valves for towing. The pumps are mechanically actuated by the patented Toro TX traction control system, utilising on-pump neutral centring systems.
Hydraulic Capacity	23.8 litres (5.2 Imperial gallons) – full; 22.7 litres (5.0 Imperial gallons) – nominal fluid level
Oil Capacity	2.1 litres (1.9 Imperial quarts) with oil filter change; 1.8 litres (1.6 Imperial quarts) without oil filter change
Start Method	Solenoid shift type electric starter motor
Battery	A 12 volt, BCI group U1 battery with 300 CCA powers the electrical system
Electrical Interlocks	Switches are installed on the machine to ensure the following requirements: – To start the machine, the auxiliary hydraulic valve must be in neutral; – To start the machine, the traction control must be in neutral
Engine Controls	Panel mounted, including the ignition, throttle and choke. The throttle and choke are remote lever/cable operated.
Steering	Toro TX patented control system
Lift & Rotate	A pivoting lever on the right hand side of the control panel connects to the lift spool on the control valve and actuates the spool for the lift cylinder. This lever can also be actuated side to side for rotation of the grinder head.
Auxiliary	A two-step, electrical (operator presence) button on the control lever connects to the grinder spool on the control valve and actuates the spool for the grinder motor
Frame	The main frame is a fabricated weldment constructed mainly of 6.4 mm (0.25 inch) steel plate with in-frame 7 gauge (4.6 mm / 0.1793 inch) welded hydraulic tank

USER-FRIENDLY FEATURES

Dimensions	Length: 228.0 cm (89.8 inches); Width: 84.1 cm (33.1 inches); Height: 116.0 cm (45.7 inches)
Performance	Cutter Depth (maximum): 31.75 cm (12.5 inches) below grade; Cutter Height (maximum): 83.82 cm (33.0 inches) above grade; Grinding Angle: 0 – 65.0 degrees; Head Swing: 119.0 cm (47.0 inches) Wheel Diameter: 48.3 cm (19.0 inches) to tooth; Wheel Speed: 1185 rpm (95% efficiency) Torque Approximately 111.2 Nm (82.0 ft-lbs) at 179.2 bar (2600 psi) (95% efficiency) Ground Speeds: Forward: 0-6.8 km/h, Reverse: 0-2.6 km/h; Ground Pressure: 30.3 kPa (4.4 psi)
Intelli-Sweep™	Standard
Weight	544.3 kg (1,200 lbs)
Number of Teeth	12 (6 per side)
Track	Nylon fabric reinforced, endless rubber rings with 22 internal drive lugs. The outer tread on the tracks is an aggressive L-shaped pattern with pitched crosscuts
Track Width	14.94 cm (5.88 inches)
Track Pitch	8.76 cm (3.45 inches)
Warranty	Two years or 1000 hour limited warranty*

SGR-13 22615

POWER SYSTEM

Engine	9.7 kW (13 hp) Honda® GX390
--------	-----------------------------

USER-FRIENDLY FEATURES

Dimensions	Length: 185.4 cm (73.0 inches); Width: 73.7 cm (29.0 inches); Height: 104.1 cm (41.0 inches) at the operator's controls
Clutch	Centrifugal
Cutter Depth	27.94 cm (11.0 inches) below grade
Cutter Height	35.6 cm (14.0 inches) above grade
Wheel	Greenteeth cutting teeth, 24.1 cm (9.5 inches) diameter to tooth
Belt	Double 3V Belt
Weight	109 kg (240 lbs)
Warranty	One year limited warranty*



Count on it.



toro.com.au

Toro Customer Service 1800 356 372

Toro Australia Head Office
53 Howards Road
Beverly SA 5009
Ph: +61 8 8300 3633
Fax: +61 8 8243 2940

©2017 Toro Australia.
All Rights Reserved.
Printed in Australia.

140618/IND-C0190
06-2018

FOLLOW US!



facebook.com/toroaus
twitter.com/toroaus
youtube.com/toroaustralia

Your local certified Toro dealer:

Products depicted in this literature are for demonstration purposes only. Actual products offered for sale may vary in use, design, required attachments and safety features. We reserve the right to improve our products and make changes in specifications, designs, and standard equipment without notice and without incurring obligation. The gross horsepower of the engines have been laboratory rated by the various engine manufacturers. As configured to meet safety, emission and operating requirements, the actual engine horsepower on this class may be significantly lower.

Many of the products you will find in certified Toro dealers' stores come with a warranty or guarantee from The Toro Company. In addition, our goods come with guarantees that cannot be excluded under the Australian Consumer Law. You are entitled to a replacement or refund for a major failure and for compensation for any other reasonably foreseeable loss or damage. You are also entitled to have the goods repaired or replaced if the goods fail to be of acceptable quality and the failure does not amount to a major failure. Full details of your consumer rights may be found at www.consumerlaw.gov.au

**See your certified Toro dealers for details on all of our warranties.*