



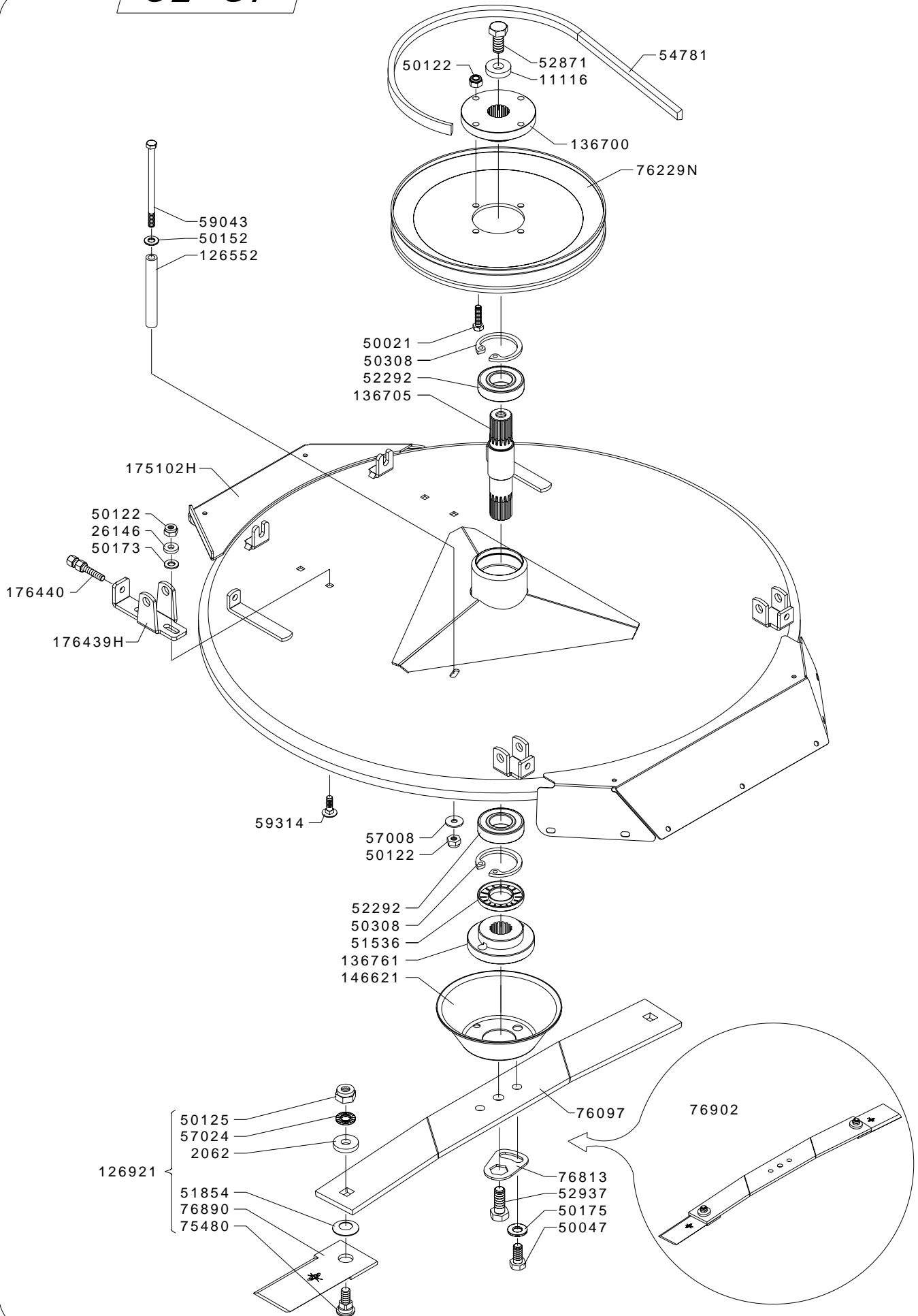
## **CLIMBER 7 SERIES**

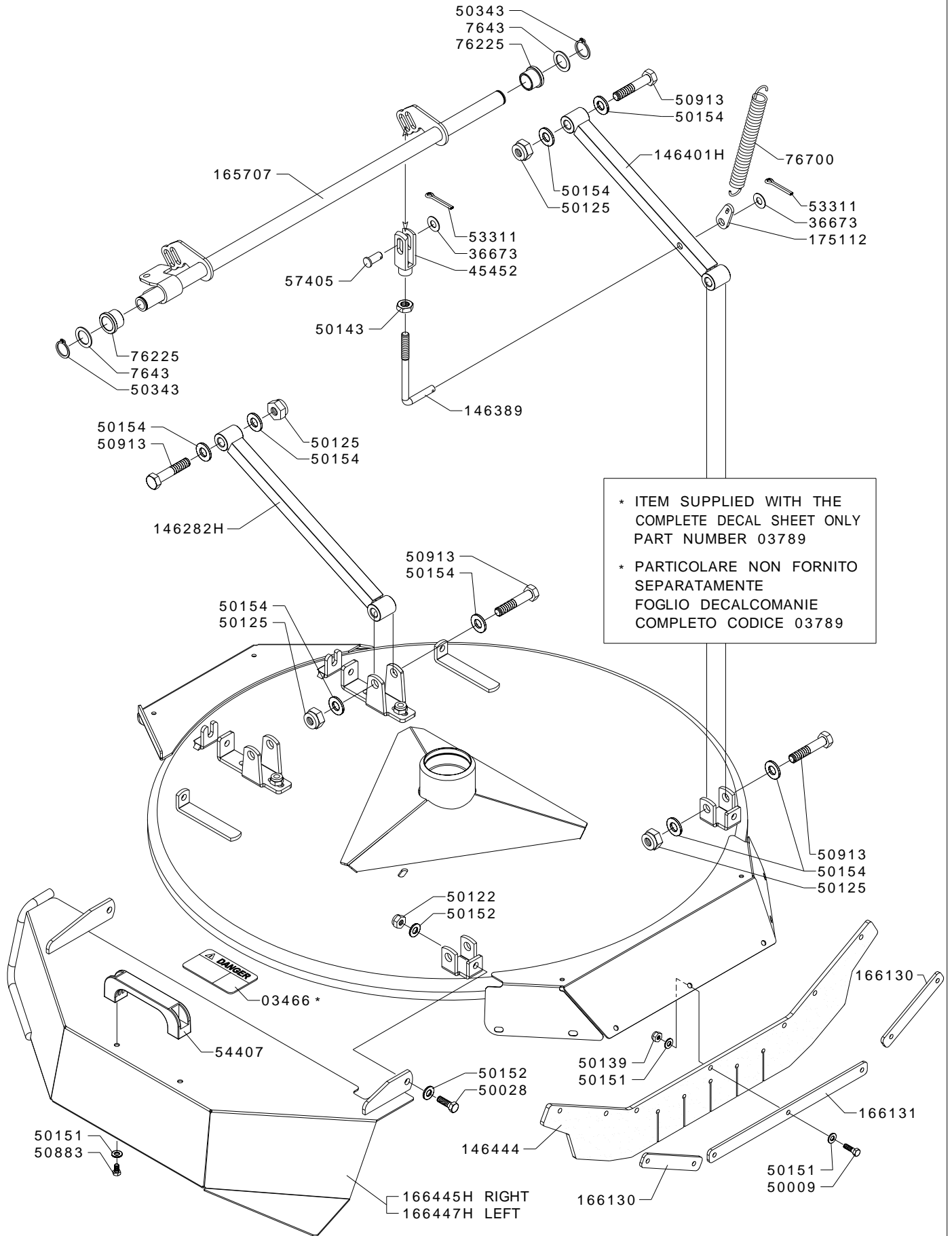
**CL 7.13 - 7.16**

**ELECTROMAGNETIC CLUTCH VERSION  
SPARE PARTS BOOKLET**

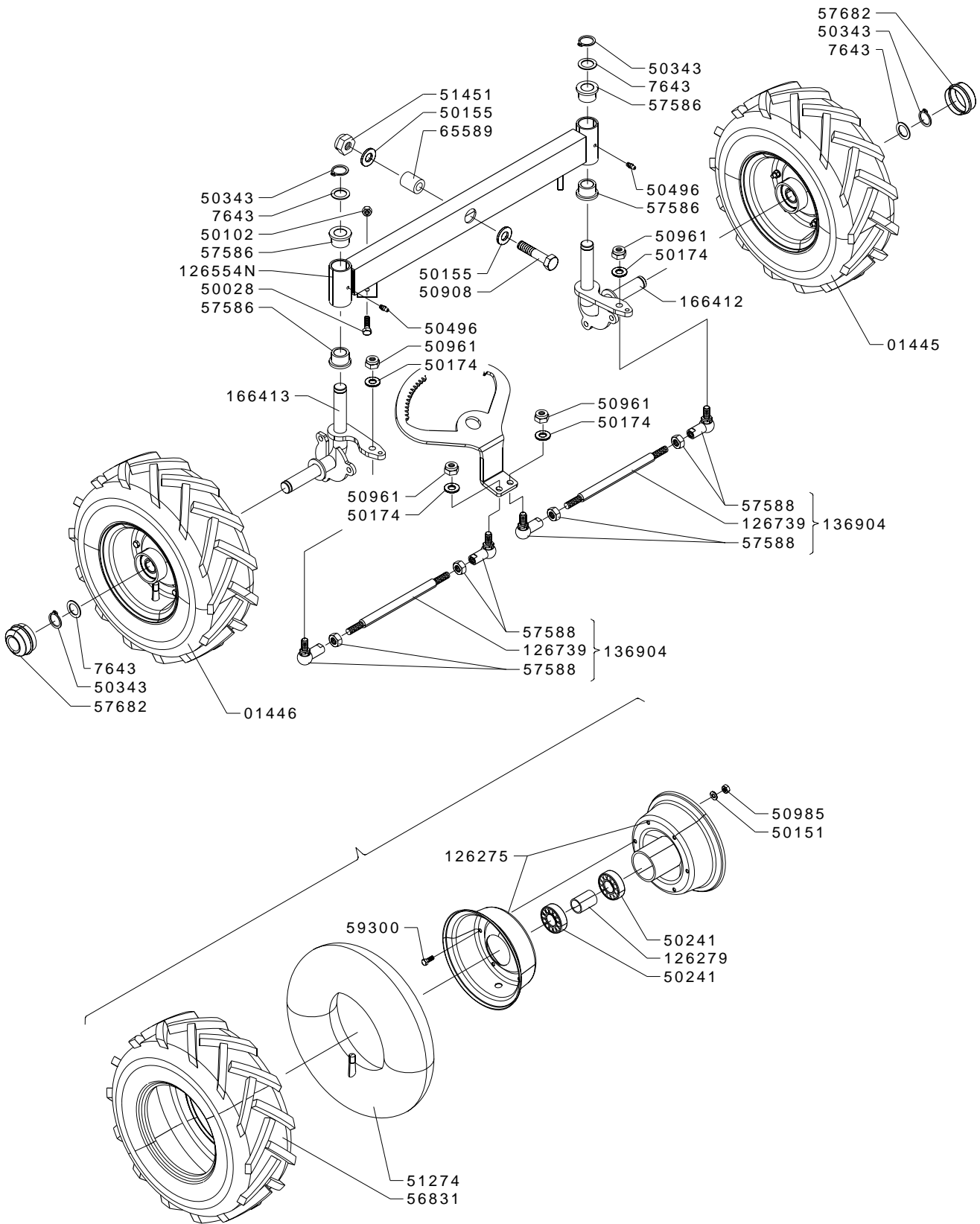
**From Serial Nos: 546051 - CL7.16  
547055 - CL7.13**

CL S7

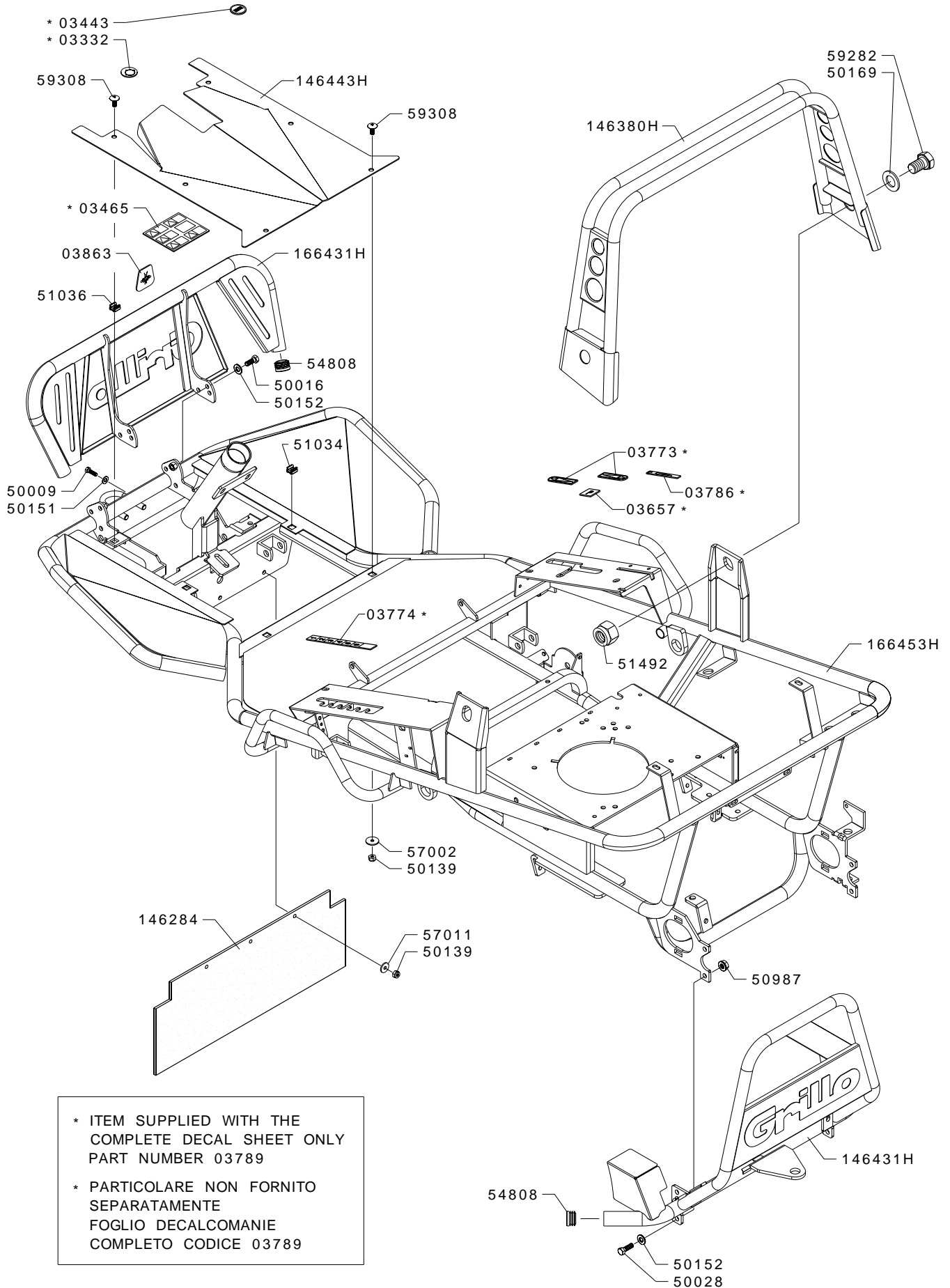




CL S7



### CL S7



\* ITEM SUPPLIED WITH THE COMPLETE DECAL SHEET ONLY  
PART NUMBER 03789

\* PARTICOLARE NON FORNITO SEPARATAMENTE  
FOGLIO DECALCOMANIE  
COMPLETO CODICE 03789

# Grillo

## CL S7

### FRONT WHEEL BRAKE

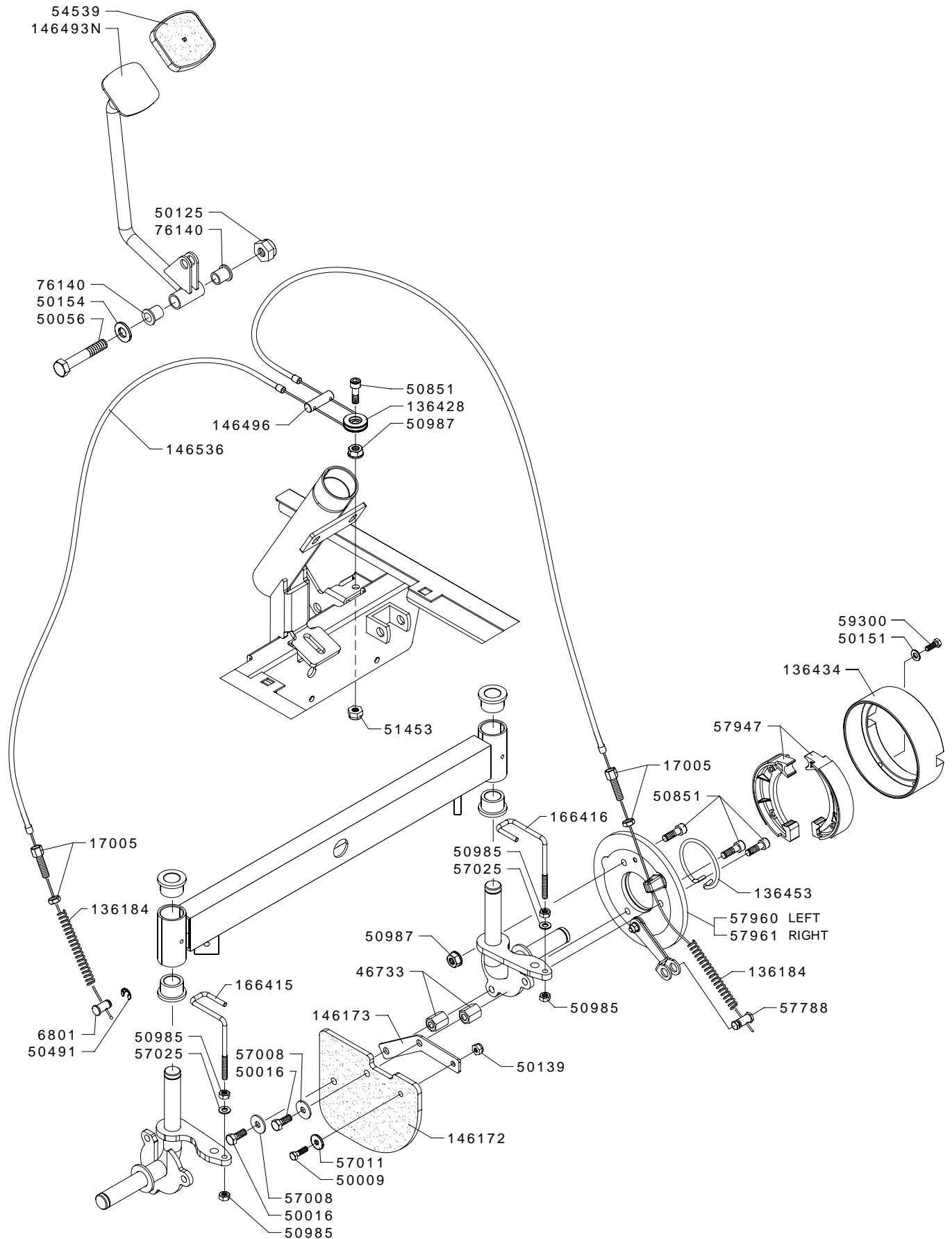
GRUPPO FRENO ANTERIORE

VORNE RÄDER BREMSE

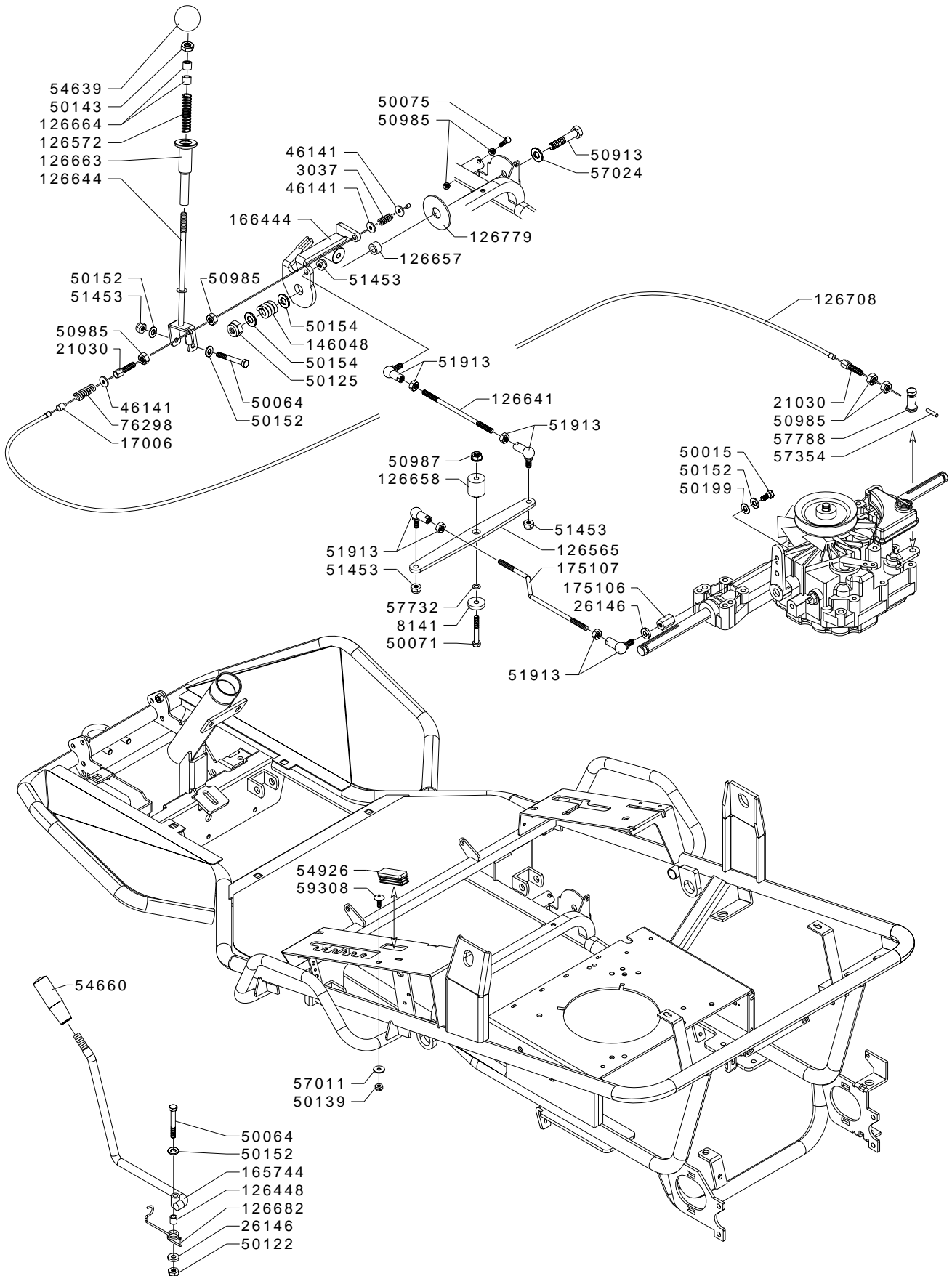
FREIN ANTÉRIEUR

FRENOS DELANTEROS

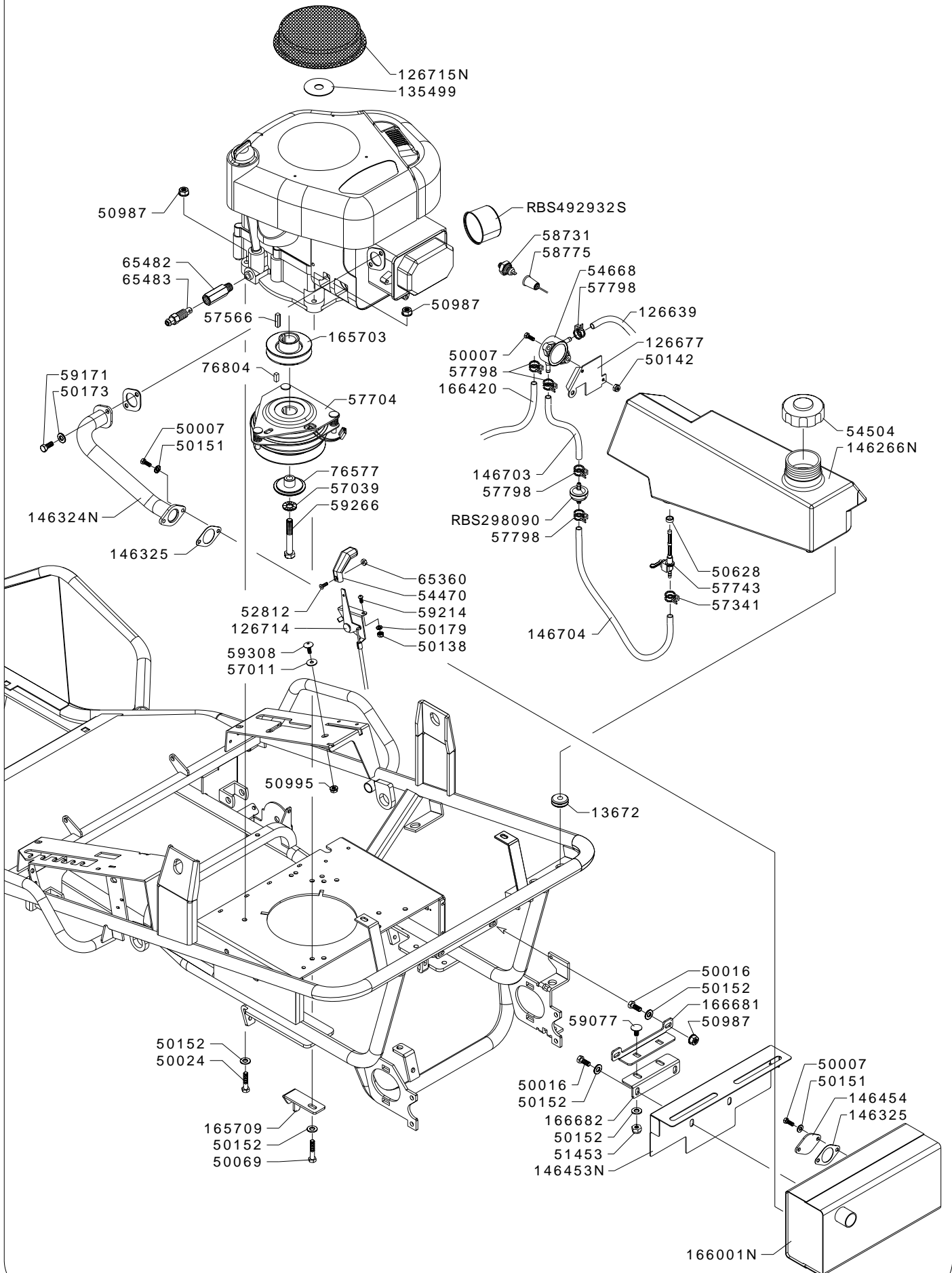
146828 2



From Serial No. 522168 (CL7.13) - 522098 (CL7.16)



CL7.13





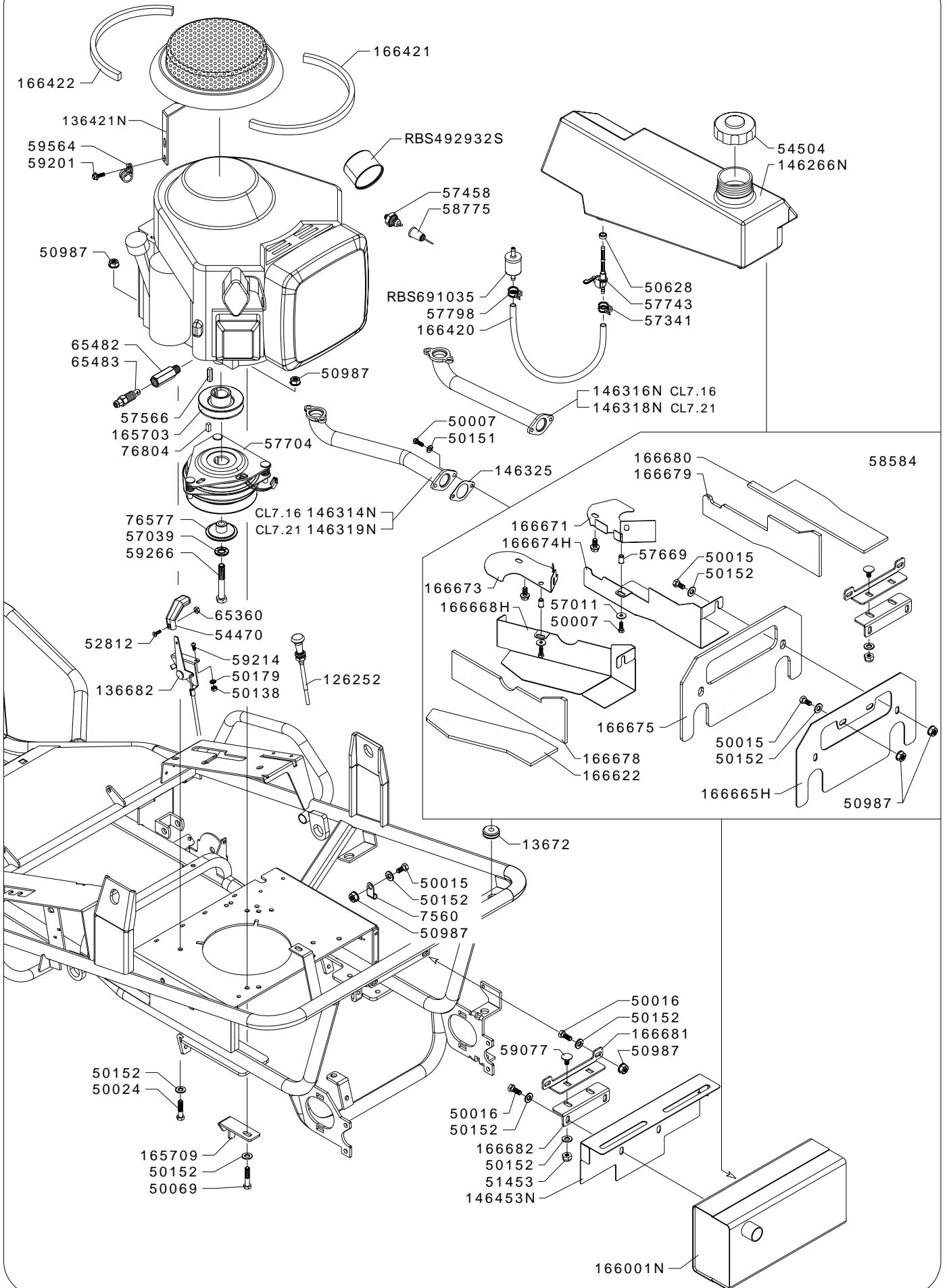
# ENGINE B&S VANGUARD 16-21HP

MOTORE  
MOTOR  
MOTEUR  
MOTOR

**146831** 3

# Grillo

## CL7.16-21



From Serial No. 546051

# Grillo

## CL S7

### TRANSMISSION

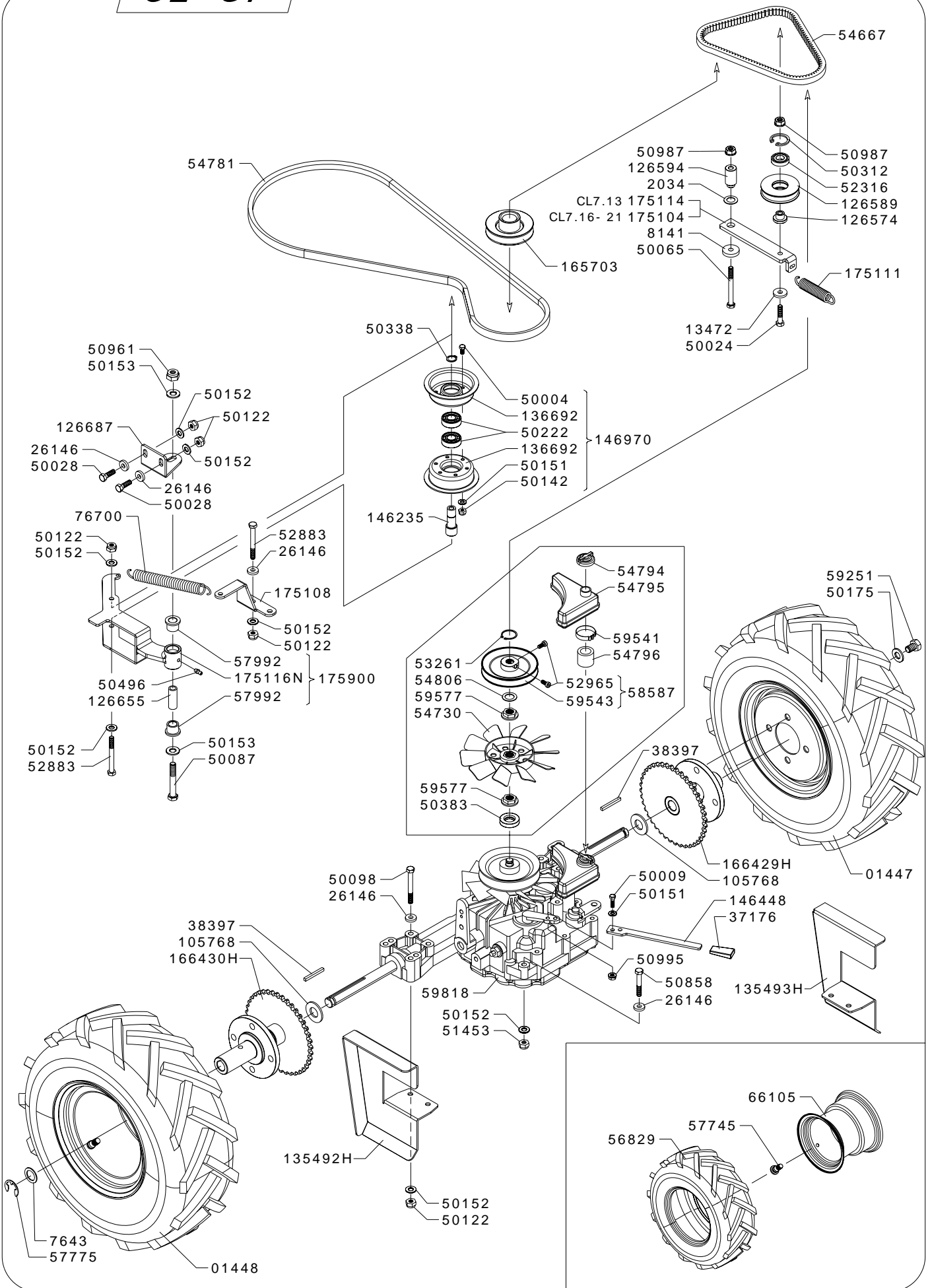
TRASMISSIONE

ANTRIEB

TRANSMISSION

TRANSMISIÓN

146832 6

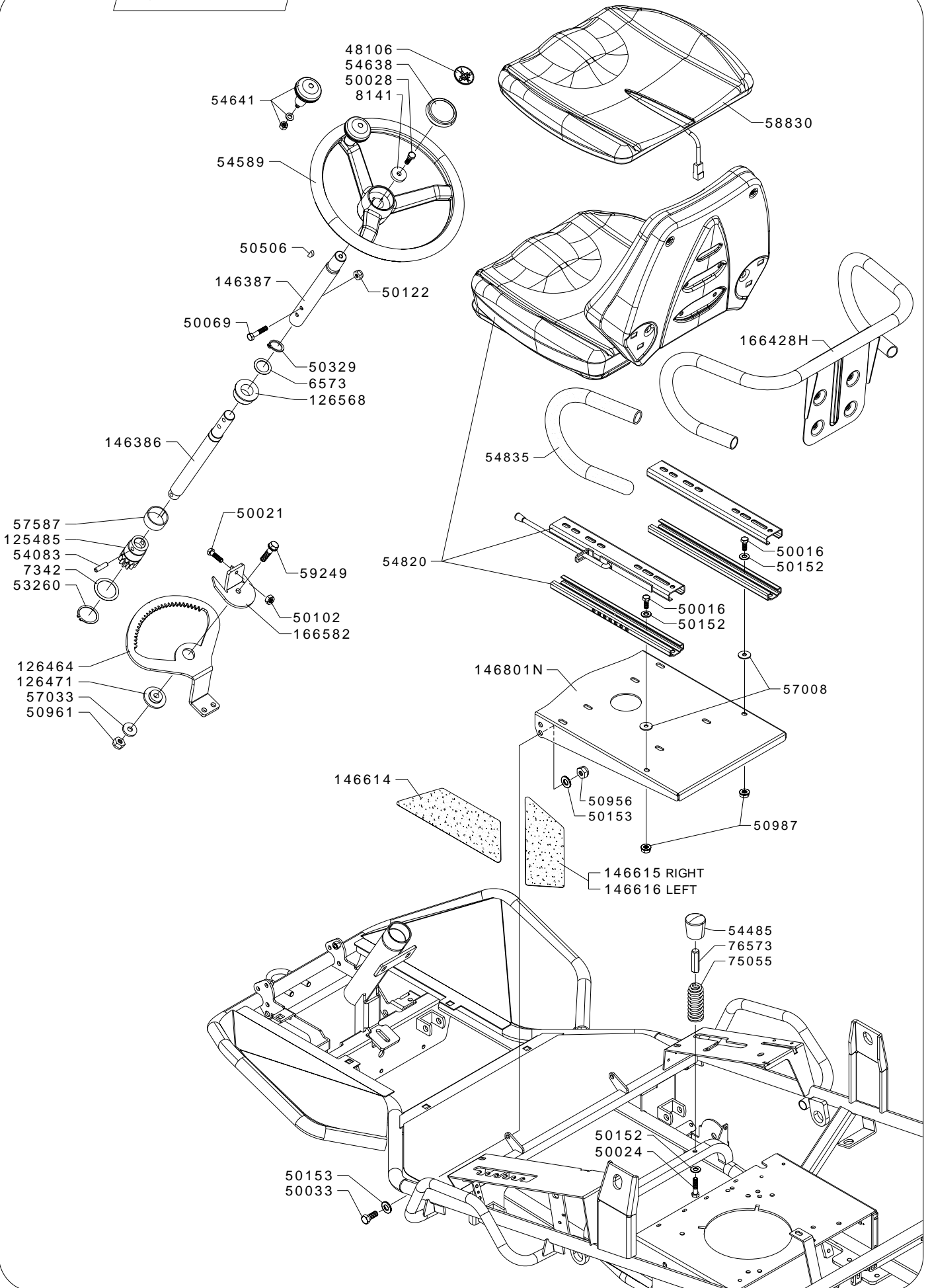


From Serial No. 547055 (CL7.13) - 546051 (CL7.16)

### STEERING UNIT AND SEAT

GRUPPO STERZO E SEDILE  
LENK SATZ UND SITZ  
GROUPE DIRECTION ET SIEGE  
DIRECCIÓN Y ASIENTO

146833 3



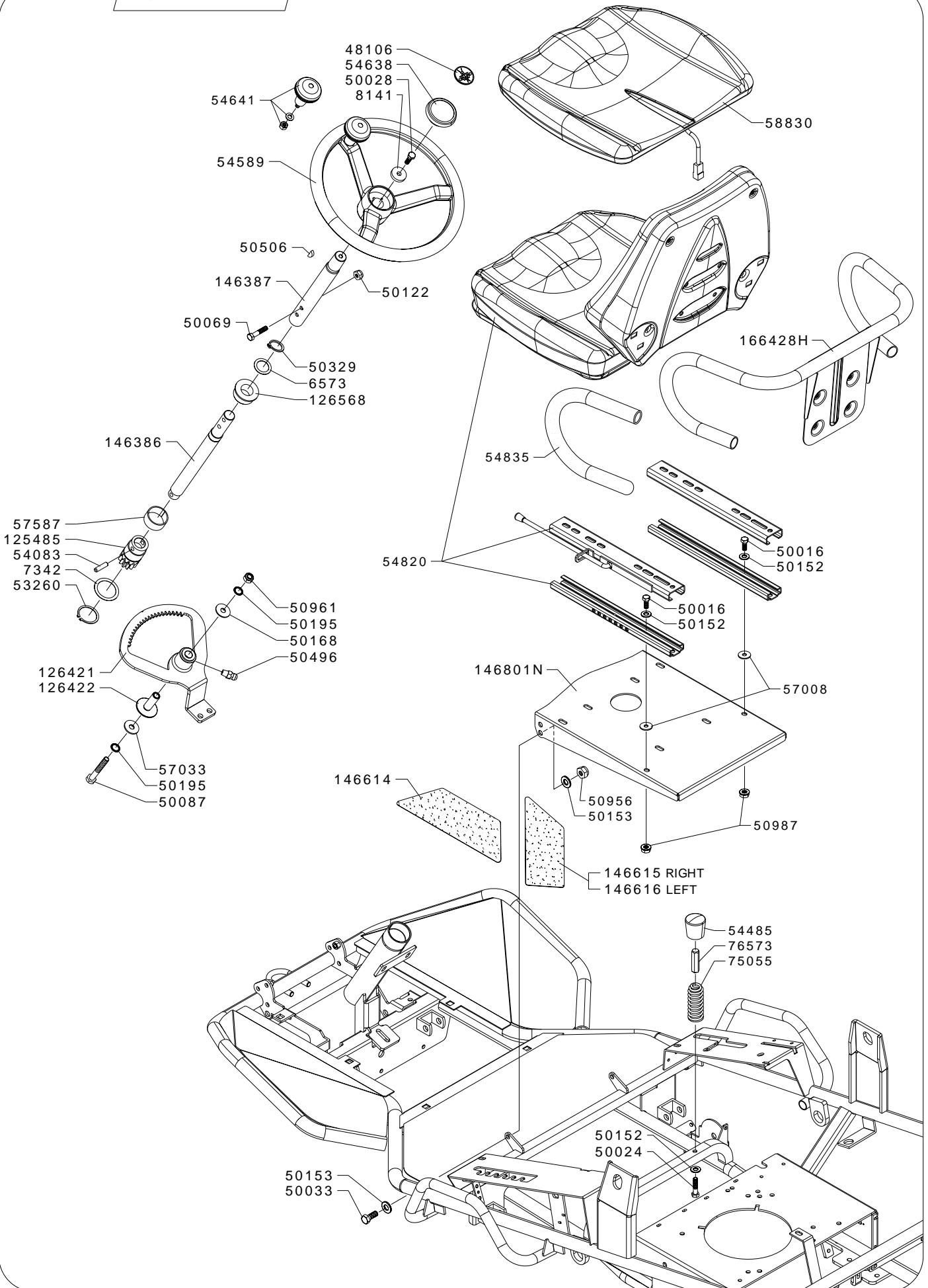
# Grillo

## CL S7

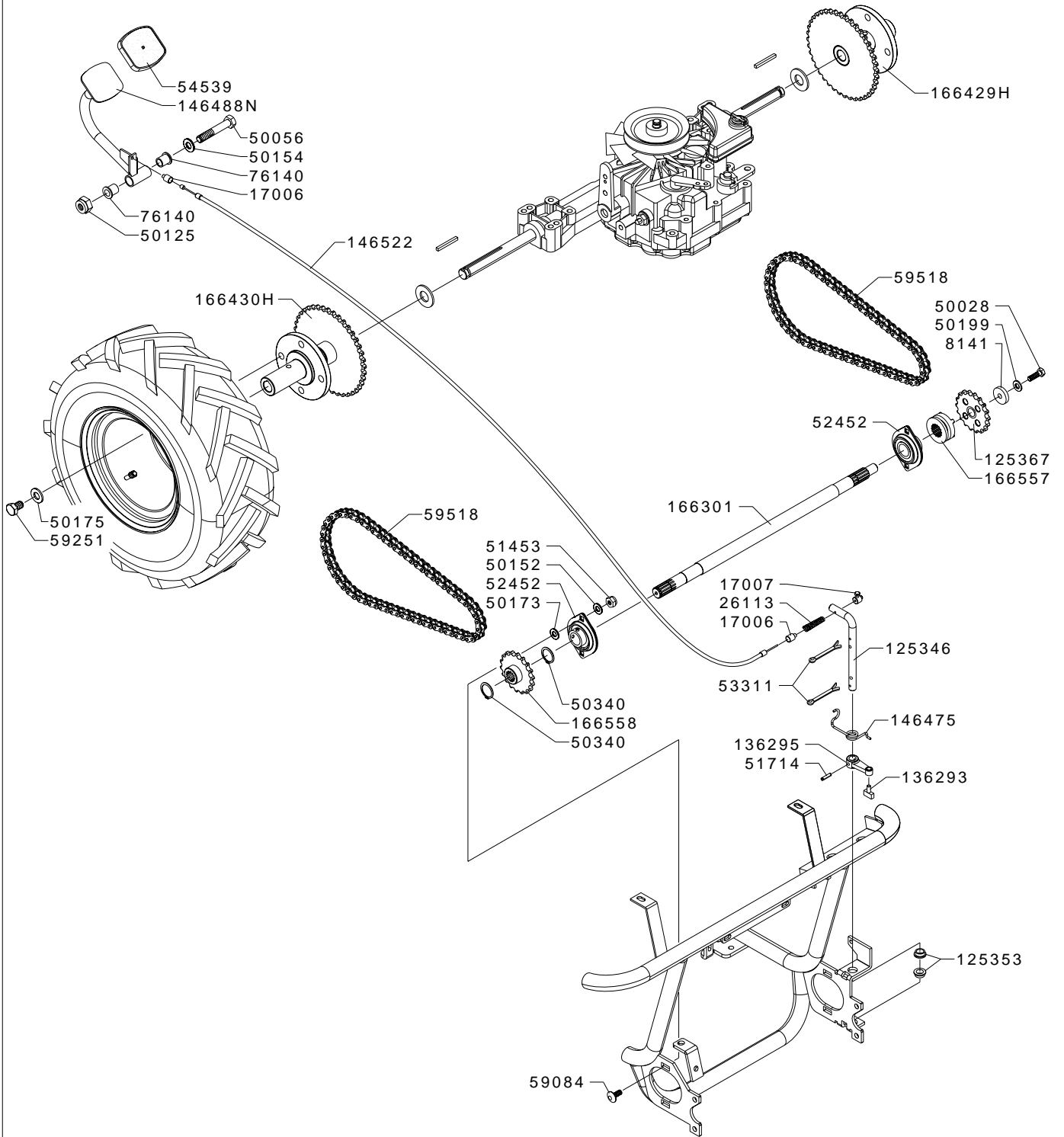
### STEERING UNIT AND SEAT

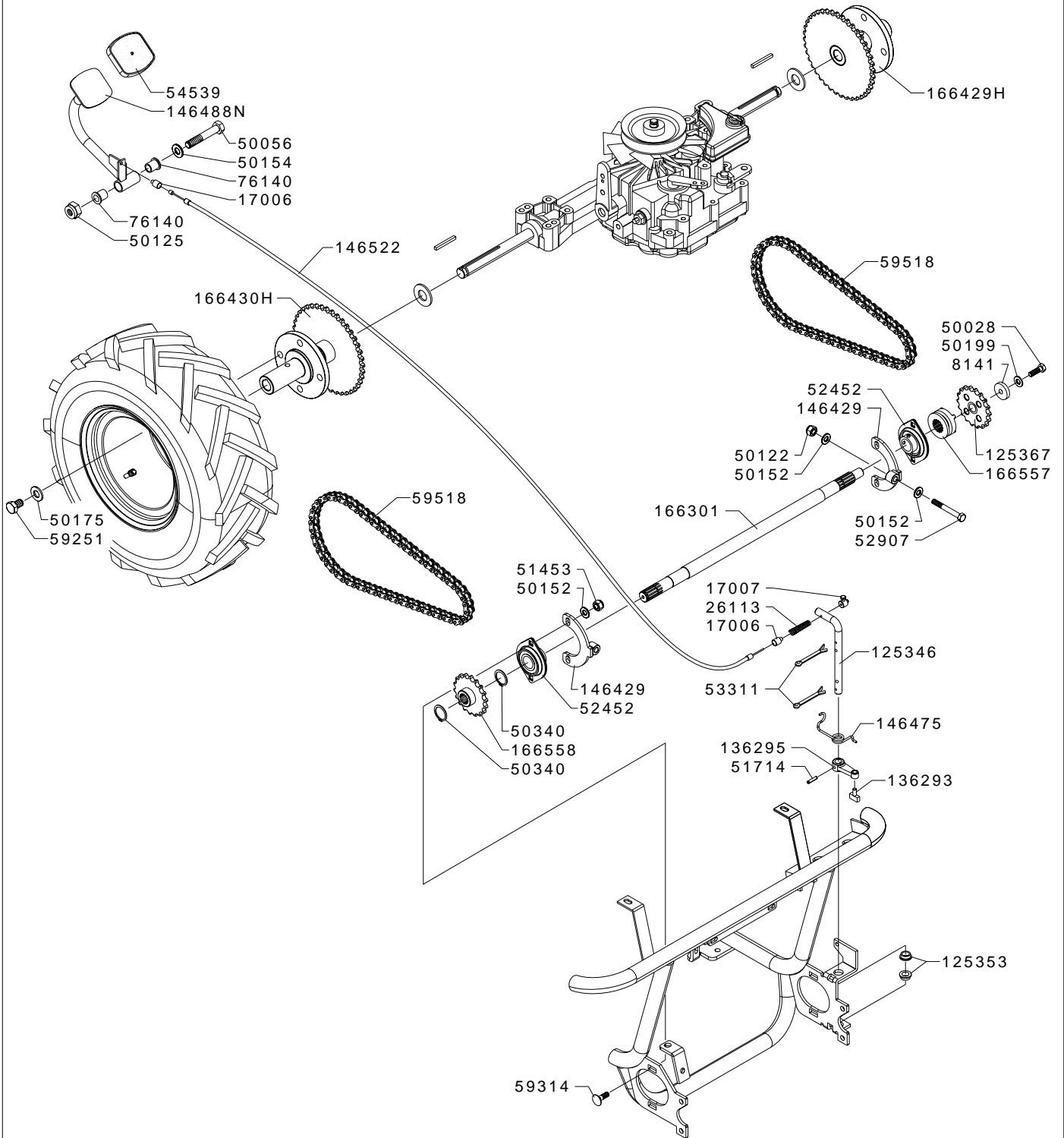
GRUPPO STERZO E SEDILE  
LENK SATZ UND SITZ  
GROUPE DIRECTION ET SIEGE  
DIRECCIÓN Y ASIENTO

146833 4



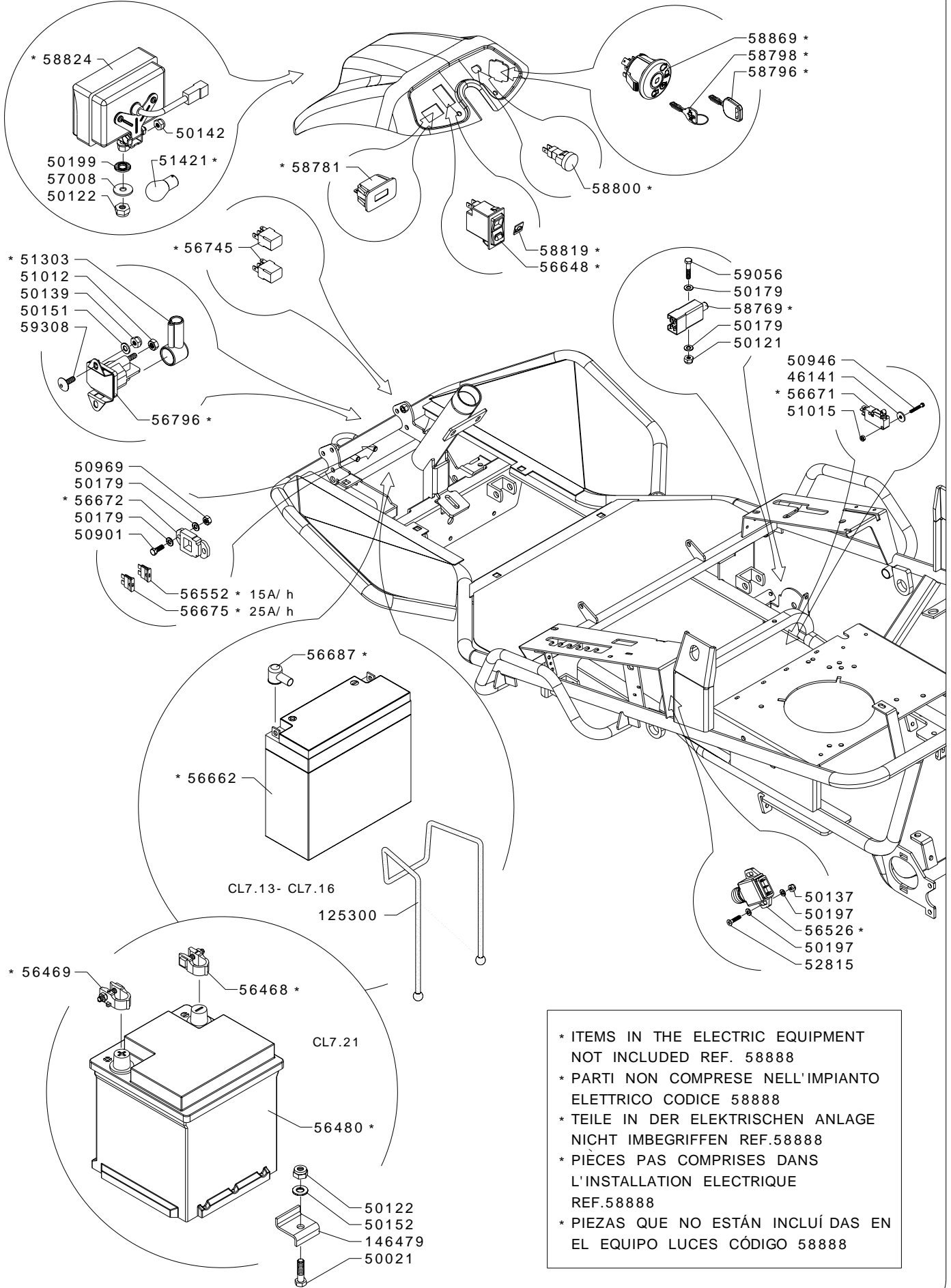
From Serial No. 561436







CL S7



\* ITEMS IN THE ELECTRIC EQUIPMENT NOT INCLUDED REF. 58888  
 \* PARTI NON COMPRESSE NELL'IMPIANTO ELETTRICO CODICE 58888  
 \* TEILE IN DER ELEKTRISCHEN ANLAGE NICHT IMBEGRIFFEN REF.58888  
 \* PIÈCES PAS COMPRISES DANS L'INSTALLATION ELECTRIQUE REF.58888  
 \* PIEZAS QUE NO ESTÁN INCLUÍ DAS EN EL EQUIPO LUCES CÓDIGO 58888